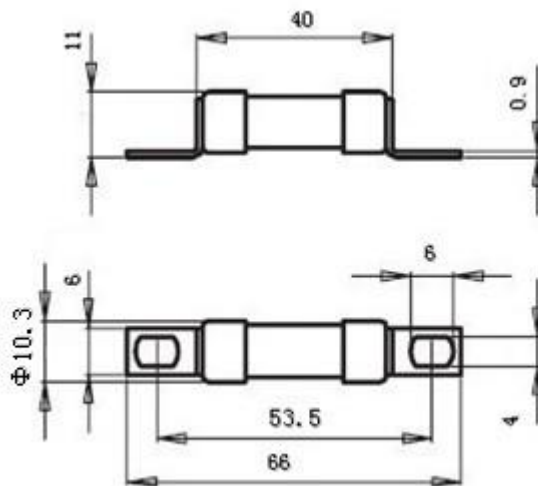


Main Characteristics 主要技术参数: 电压等级:450V~500VDC 电流范围: from 1A to 50A Class类别: gR
 尺寸Size : $\Phi 10 \times 38$ 分断能力High interrupting rating10kA. 执行标准Standard IEC 60269-Part -4、 BS 88 Part 4

Catalog Numbers 订货号	Kaiert Type 型号规格	Rated Current I_N (A)电流	Rated Voltage U_N (V)电压	Pre-arcing I^2t @1ms (A ² S) 弧前 I^2t	Total clearing I^2t @ U_N (A ² S) 熔断 I^2t	Power Loss W 功耗	
						0.8I _N	I _N
B2631	PCB10-1A/500VDCgR10KA	1A	500VDC	0.3	3	0.8	1.5
B2632	PCB10-2A/500VDCgR10KA	2A	500VDC	0.4	4	0.7	1.4
B2633	PCB10-3A/500VDCgR10KA	3A	500VDC	0.6	5	0.6	1.3
B2634	PCB10-4A/500VDCgR10KA	4A	500VDC	0.7	6	0.5	1.2
B2635	PCB10-5A/500VDCgR10KA	5A	500VDC	1.3	11	0.6	1.4
B2636	PCB10-6A/500VDCgR10KA	6A	500VDC	1.8	17	0.7	1.6
B2637	PCB10-8A/500VDCgR10KA	8A	500VDC	4.8	28	0.8	1.8
B2638	PCB10-10A/500VDCgR10KA	10A	500VDC	5.3	48	1.2	2.1
B2639	PCB10-12A/500VDCgR10KA	12A	500VDC	7.4	63	1.6	2.9
B2640	PCB10-15A/500VDCgR10KA	16A	500VDC	10	120	2.1	4.5
B2643	PCB10-20A/500VDCgR10KA	20A	500VDC	17	200	2.9	5.8
B2642	PCB10-25A/500VDCgR10KA	25A	500VDC	40	420	3.2	6.8
B2644	PCB10-30A/500VDCgR10KA	30A	500VDC	60	730	4.0	8.2
B2645	PCB10-40A/500VDCgR10KA	40A	500VDC	71	860	5.0	10.0
B2649	PCB10-50A/500VDCgR10KA	50A	500VDC	89	990	6.0	12.0

Dimensions 安装尺寸 (mm):

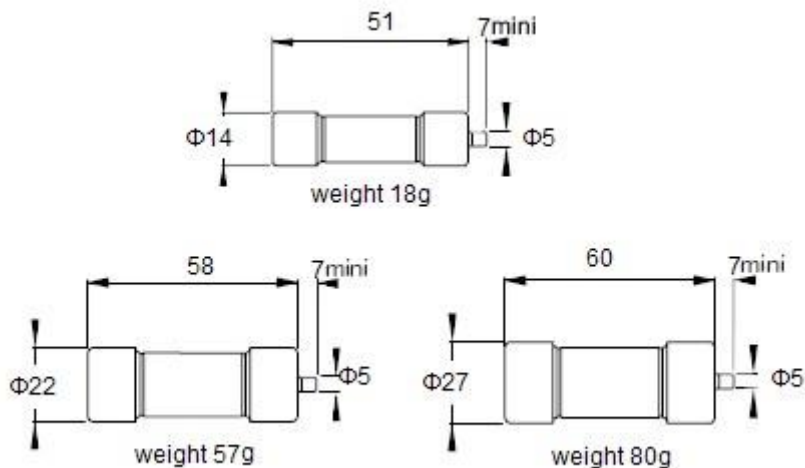


Main Characteristics 主要电气参数 $\Phi 14*51$ 、 $\Phi 22*58$ 、 $\Phi 27*60$ 440V DC gR from 2A to 160A

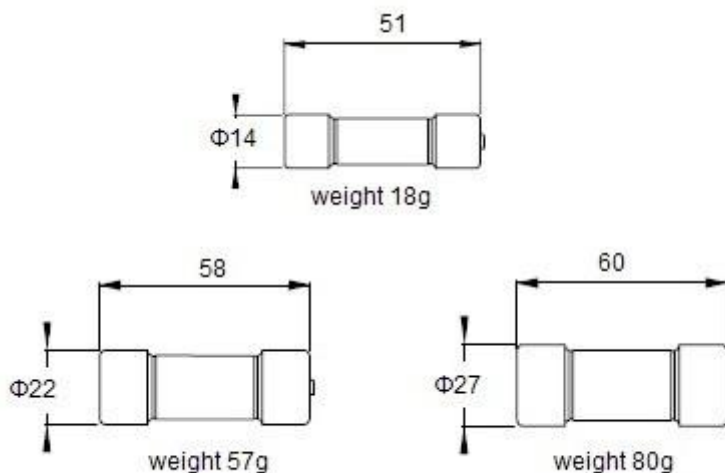
Size 瓷管代号	Catalog Numbers 订货号	Designation Type 型号规格	Rated Current I _N (A)电流	Rated Voltage U _N (V)电压	Watts Loss(W)功耗		Breaking Capacity 分断能力 (KA)
					0.8I _N	I _N	
$\Phi 14*51$ Without striker 无指示器	109B1412	KD14-2A/440VDCgR14*51	2A	440VDC	0.29	0.5	@ 440 VDC =100kA L/R = 30 ms
	109B1413	KD14-6A/440VDCgR14*51	6A	440VDC	0.74	1.3	
	109B1414	KD14-8A/440VDCgR14*51	8A	440VDC	1.1	1.8	
	109B1415	KD14-10A/440VDCgR14*51	10A	440VDC	1.1	1.9	
	109B1416	KD14-12A/440VDCgR14*51	12A	440VDC	1.2	2.0	
	109B1417	KD14-16A/440VDCgR14*51	16A	440VDC	1.2	2.1	
	109B1418	KD14-20A/440VDCgR14*51	20A	440VDC	1.4	2.5	
	109B1419	KD14-25A/440VDCgR14*51	25A	440VDC	1.6	2.8	
	109B1420	KD14-32A/440VDCgR14*51	32A	440VDC	2.4	4.2	
	109B1421	KD14-40A/440VDCgR14*51	40A	440VDC	2.9	5.0	
	109B1422	KD14-50A/440VDCgR14*51	50A	440VDC	3.3	5.7	
$\Phi 14*51$ With striker 有指示器	109B1401	KD14-K-2A/440VDCgR14*51	2A	440VDC	0.29	0.5	@ 440 VDC =100kA L/R = 30 ms
	109B1402	KD14-K-6A/440VDCgR14*51	6A	440VDC	0.74	1.3	
	109B1403	KD14-K-8A/440VDCgR14*51	8A	440VDC	1.1	1.8	
	109B1404	KD14-K-10A/440VDCgR14*51	10A	440VDC	1.1	1.9	
	109B1405	KD14-K-12A/440VDCgR14*51	12A	440VDC	1.2	2.0	
	109B1406	KD14-K-16A/440VDCgR14*51	16A	440VDC	1.2	2.1	
	109B1407	KD14-K-20A/440VDCgR14*51	20A	440VDC	1.4	2.5	
	109B1408	KD14-K-25A/440VDCgR14*51	25A	440VDC	1.6	2.8	
	109B1409	KD14-K-32A/440VDCgR14*51	32A	440VDC	2.4	4.2	
	109B1410	KD14-K-40A/440VDCgR14*51	40A	440VDC	2.9	5.0	
	109B1411	KD14-K-50A/440VDCgR14*51	50A	440VDC	3.3	5.7	
$\Phi 22*58$ Without striker 无指示器	109B2205	KD22-50A/440VDCgR22*58	50A	440VDC	3.9	6.7	@ 440 VDC =100kA L/R = 30 ms
	109B2206	KD22-63A/440VDCgR22*58	63A	440VDC	4.9	8.5	
	109B2207	KD22-80A/440VDCgR22*58	80A	440VDC	6.2	10.8	
	109B2208	KD22-100A/440VDCgR22*58	100A	440VDC	7.5	13.2	
$\Phi 22*58$ With striker 有指示器	109B2201	KD22-K-50A/440VDCgR22*58	50A	440VDC	3.9	6.7	@ 440 VDC =100kA L/R = 30 ms
	109B2202	KD22-K-63A/440VDCgR22*58	63A	440VDC	4.9	8.5	
	109B2203	KD22-K-80A/440VDCgR22*58	80A	440VDC	6.2	10.8	
	109B2204	KD22-K-100A/440VDCgR22*58	100A	440VDC	7.5	13.2	
$\Phi 27*60$ Without striker 无指示器	109B2703	KD27-125A/440VDCgR27*60	125A	440VDC	12.6	22	@ 440 VDC =100kA L/R = 30 ms
	109B2704	KD27-160A/440VDCgR27*60	160A	440VDC	13.8	24.2	
$\Phi 27*60$ With striker 有指示器	109B2701	KD27-K-125A/440V DCgR27*60	125A	440VDC	12.6	22	@ 440 VDC =100kA L/R = 30 ms
	109B2702	KD27-K-160A/440VDCgR27*60	160A	440VDC	13.8	24.2	

Main Characteristics 主要电气参数 $\Phi 14*51$ 、 $\Phi 22*58$ 、 $\Phi 27*60$ 440V DC gR from 2A to 160A

Dimensions(With striker)安装尺寸（有撞击器）:

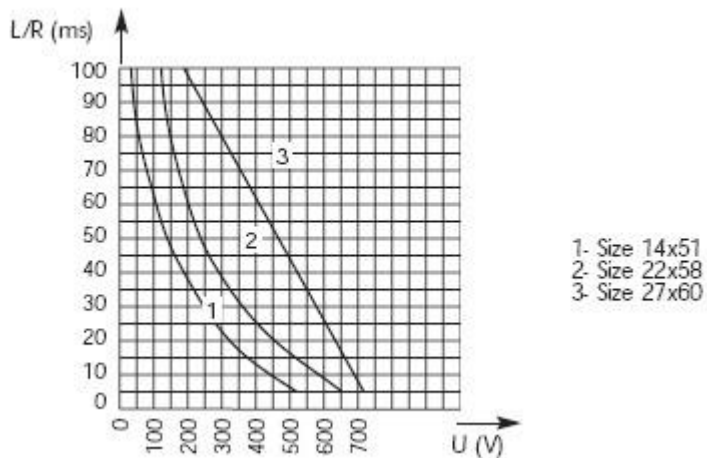


Dimensions(Without striker)安装尺寸（无撞击器）:



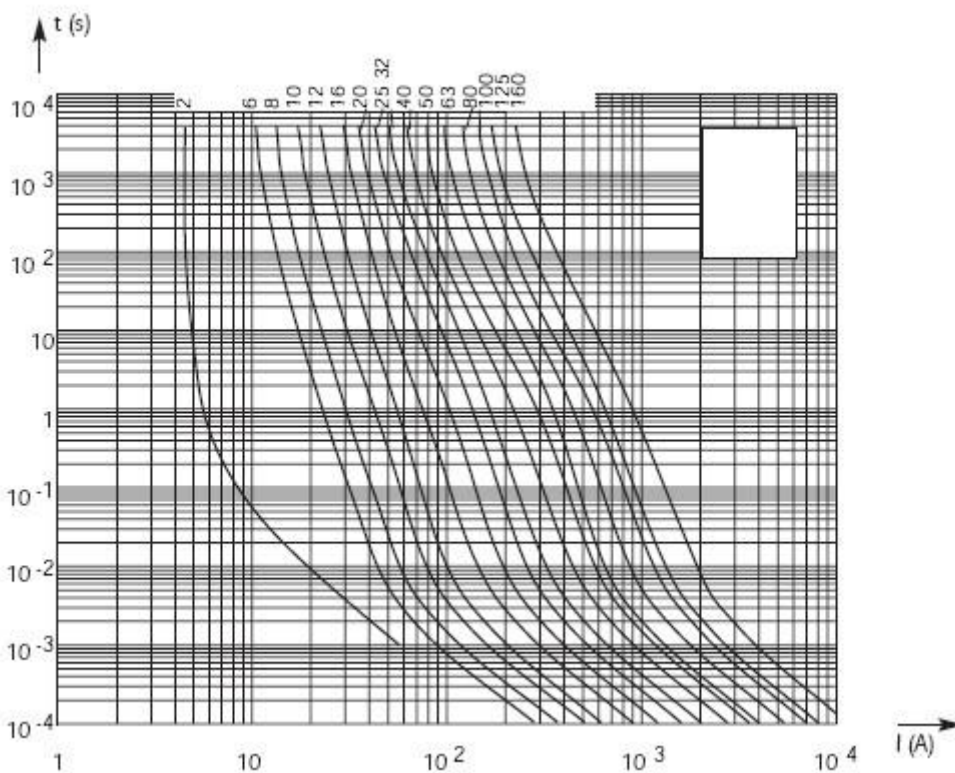
Main Characteristics 主要电气参数 $\Phi 14*51$ 、 $\Phi 22*58$ 、 $\Phi 27*60$ 440V DC gR from 2A to 160A

DC applications data 直流应用数据:



Max. AC voltage (50/60 Hz): 500 V with breaking capacity of 100 KA

Time vs. current characteristics 时间电流特性曲线:

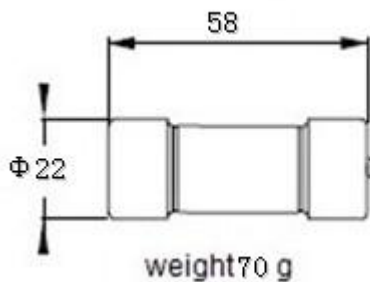


Above: Curves indicate, for each rated current, pre-arcing time vs. R.M.S. pre-arcing current.

Main Characteristics 主要电气参数 $\Phi 22 \times 58$ 660V DC gR from 0.8A to 110A

Size 瓷管代号	Catalog Numbers 订货号	Designation Type 型号规格	Rated Current I_N (A)电流	Rated Voltage U_N (V)电压	Watts Loss(W)功耗		Breaking Capacity 分断能力 (KA)
					0.8 I_N	I_N	
$\Phi 22 \times 58$	109B2205	KD22-0.8A/660VDCgR22*58	0.8A	660VDC	0.25	0.4	@ 660 VDC =50kA
	109B2206	KD22-1A/660VDCgR22*58	1A	660VDC	0.25	0.4	
	109B2207	KD22-1.5A/660VDCgR22*58	1.5A	660VDC	0.35	0.6	
	109B2208	KD22-2A/660VDCgR22*58	2A	660VDC	0.4	0.7	
	109B2209	KD22-3.15A/660VDCgR22*58	3.15A	660VDC	0.6	1	
	109B2210	KD22-4A/660VDCgR22*58	4A	660VDC	0.6	1	
	109B2211	KD22-5A/660VDCgR22*58	5A	660VDC	0.7	1.1	
	109B2212	KD22-6.3A/660VDCgR22*58	6.3A	660VDC	0.8	1.3	
	109B2213	KD22-8A/660VDCgR22*58	8A	660VDC	1.2	2	
	109B2214	KD22-10A/660VDCgR22*58	10A	660VDC	1.3	2.3	
	109B2215	KD22-12A/660VDCgR22*58	12A	660VDC	1.4	2.4	
	109B2216	KD22-16A/660VDCgR22*58	16A	660VDC	1.9	3.3	
	109B2217	KD22-20A/660VDCgR22*58	20A	660VDC	2.4	4.1	
	109B2218	KD22-25A/660VDCgR22*58	25A	660VDC	2.8	4.7	
	109B2219	KD22-32A/660VDCgR22*58	32A	660VDC	3.5	6	
	109B2220	KD22-40A/660VDCgR22*58	40A	660VDC	4.7	8	
	109B2221	KD22-50A/660VDCgR22*58	50A	660VDC	4.8	8.3	
109B2222	KD22-63A/660VDCgR22*58	63A	660VDC	5.6	9.6		
109B2223	KD22-80A/660VDCgR22*58	80A	660VDC	6.4	11.2		
109B2224	KD22-100A/660VDCgR22*58	100A	660VDC	7.4	12.9		
109B2225	KD22-110A/660VDCgR22*58	110A	660VDC	7.7	13.7		

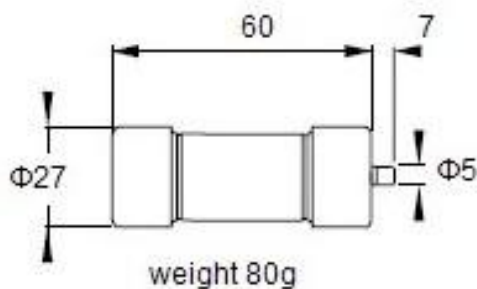
Dimensions(mm)安装尺寸示意图:



Main Characteristics 主要电气参数 $\Phi 27 \times 60$ 660V DC gR from 0.8A to 110A

Size 瓷管代号	Catalog Numbers 订货号	Designation Type 型号规格	Rated Current I_N (A)电流	Rated Voltage U_N (V)电压	Watts Loss(W)功耗		Breaking Capacity 分断能力 (KA)
					0.8 I_N	I_N	
$\Phi 27 \times 60$ With striker	109B2705	KD27-K-0.8A/660VDCgR27*60	0.8A	660VDC	0.25	0.4	@ 660 VDC =50kA L/R = 15 ms
	109B2706	KD27-K-1A/660VDCgR27*60	1A	660VDC	0.25	0.4	
	109B2707	KD27-K-1.5A/660VDCgR27*60	1.5A	660VDC	0.35	0.6	
	109B2708	KD27-K-2A/660VDCgR27*60	2A	660VDC	0.4	0.7	
	109B2709	KD27-K-3.15A/660VDCgR27*60	3.15A	660VDC	0.6	1	
	109B2710	KD27-K-4A/660VDCgR27*60	4A	660VDC	0.6	1	
	109B2711	KD27-K-5A/660VDCgR27*60	5A	660VDC	0.7	1.1	
	109B2712	KD27-K-6.3A/660VDCgR27*60	6.3A	660VDC	0.8	1.3	
	109B2713	KD27-K-8A/660VDCgR27*60	8A	660VDC	1.2	2	
	109B2714	KD27-K-10A/660VDCgR27*60	10A	660VDC	1.3	2.3	
	109B2715	KD27-K-12A/660VDCgR27*60	12A	660VDC	1.4	2.4	
	109B2716	KD27-K-16A/660VDCgR27*60	16A	660VDC	1.9	3.3	
	109B2717	KD27-K-20A/660VDCgR27*60	20A	660VDC	2.4	4.1	
	109B2718	KD27-K-25A/660VDCgR27*60	25A	660VDC	2.8	4.7	
	109B2719	KD27-K-32A/660VDCgR27*60	32A	660VDC	3.5	6	
	109B2720	KD27-K-40A/660VDCgR27*60	40A	660VDC	4.7	8	
	109B2721	KD27-K-50A/660VDCgR27*60	50A	660VDC	4.8	8.3	
	109B2722	KD27-K-63A/660VDCgR27*60	63A	660VDC	5.6	9.6	
109B2723	KD27-K-80A/660VDCgR27*60	80A	660VDC	6.4	11.2		
109B2724	KD27-K-100A/660VDCgR27*60	100A	660VDC	7.4	12.9		
109B2725	KD27-K-110A/660VDCgR27*60	110A	660VDC	7.7	13.7		

Dimensions(mm)安装尺寸示意图:

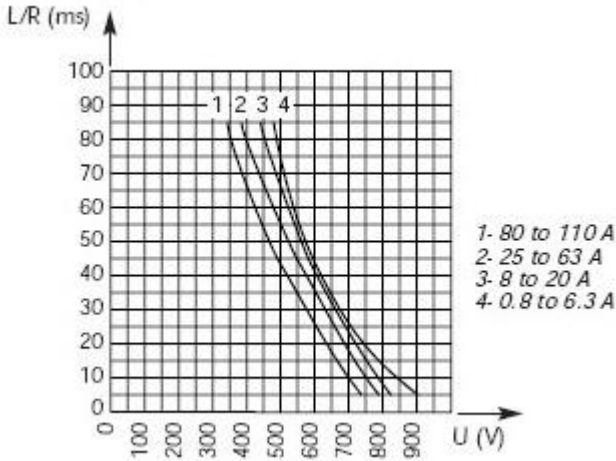


With striker

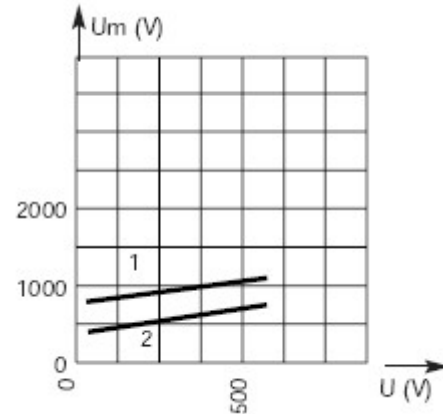


Main Characteristics 主要电气参数 $\Phi 27 \times 60$ 660V DC gR from 0.8A to 110A

DC applications data 直流回路应用数据



Peak arc voltage vs. working voltage 燃弧电压和工作电压图



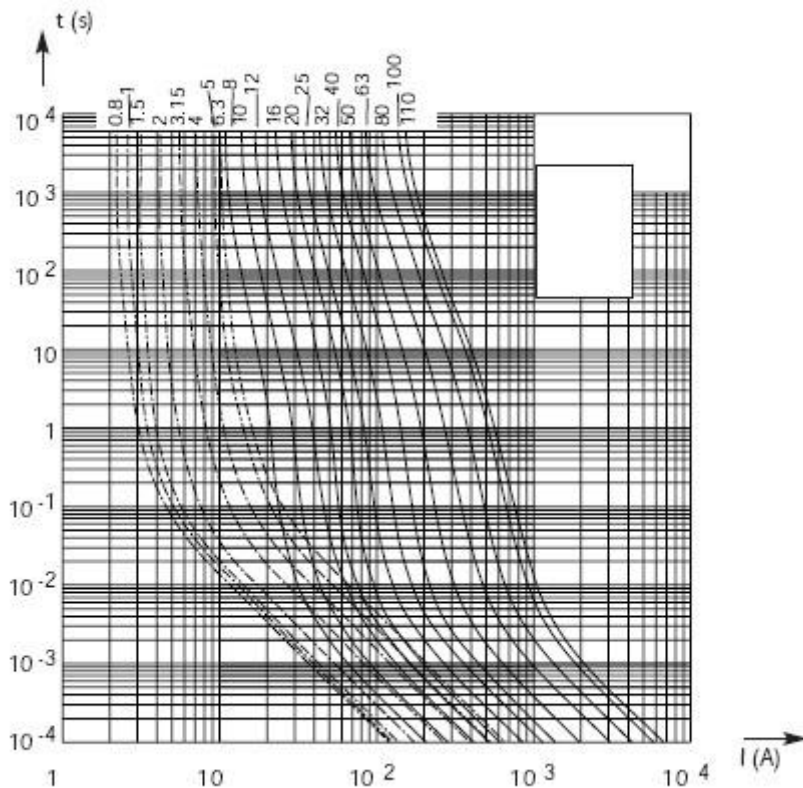
1- $L/R = 60 \text{ ms}$ 2- $L/R = 30 \text{ ms}$

Above: Curves indicate for various time constants L/R the peak arc voltage which may appear across fuse terminals, vs. DC working voltage

Max. AC voltage (50/60 Hz):

700 V with 50 kA breaking capacity for $I_n \leq 6.3 \text{ A}$
 700 V with 200 kA breaking capacity for $I_n \geq 6.3 \text{ A}$

Time vs. current characteristics 时间电流特性曲线:



Above: Curves indicate, for each rated current, pre-arcing time vs. R.M.S. pre-arcing current

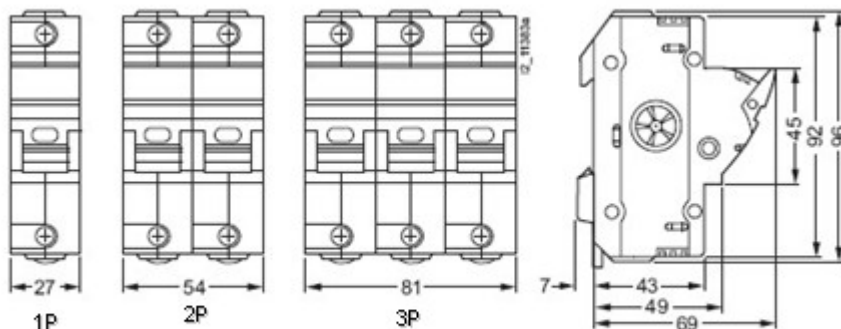
Main Characteristics 主要电气参数

电压等级 440V~1000VAC/DC

Cylindrical fuse holders $\Phi 14*51$ 熔断器配套底座 Can be used as fuse switch disconnectors¹

Size 熔芯瓷管代号 mm×mm	U_e (V)电压 AC/DC	Catalog Numbers 订货号	Weight 重量 (Kg)
$\Phi 14*51$	440V~1000V	KCH14-63A/1P	0.125
$\Phi 14*51$	440V~1000V	KCH14-63A/2P	0.25
$\Phi 14*51$	440V~1000V	KCH14-63A/3P	0.375

Dimensional drawings 安装示意图:



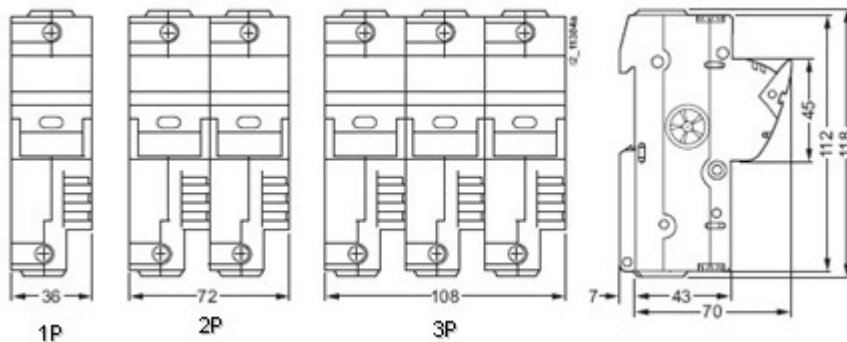
Cylindrical fuse holders 圆柱型底座 KCH14-63A

Cylindrical fuse holders $\Phi 22*58$ 熔断器配套底座

Can be used as fuse switch disconnectors¹

Size 熔芯瓷管代号 mm×mm	U_e (V)电压 AC/VDC	Catalog Numbers 订货号	Weight 重量 (Kg)
$\Phi 22*58$	440V~1000V	KCH22-125A/1P	0.193
$\Phi 22*58$	440V~1000V	KCH22-125A/2P	0.39
$\Phi 22*58$	440V~1000V	KCH22-125A/3P	0.6

Dimensional drawings 安装示意图:



Cylindrical fuse holders 圆柱型底座 KCH22-125A

Main Characteristics 主要电气参数

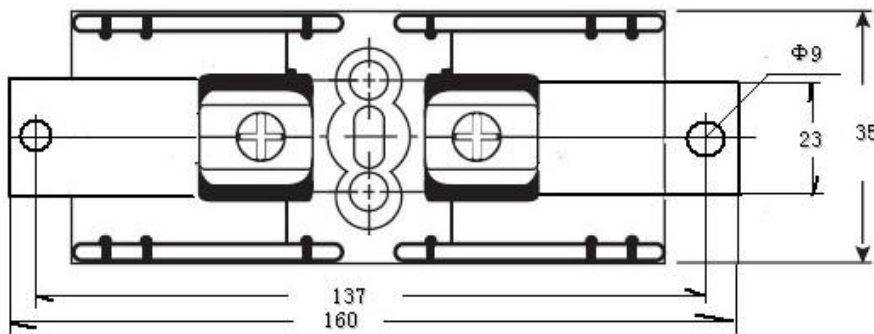
电压等级 440V~1000VAC/DC

Cylindrical fuse holders Φ27*60熔断器配套底座

Can be used as fuse switch disconnectors¹

Size 熔芯瓷管代号 mm×mm	U_e (V)电压 AC/VDC	Catalog Numbers 订货号	Weight 重量 (Kg)
Φ27*60	440V~1000V	KCB27-160A/1P	0.338

Dimensional drawings 安装示意图:



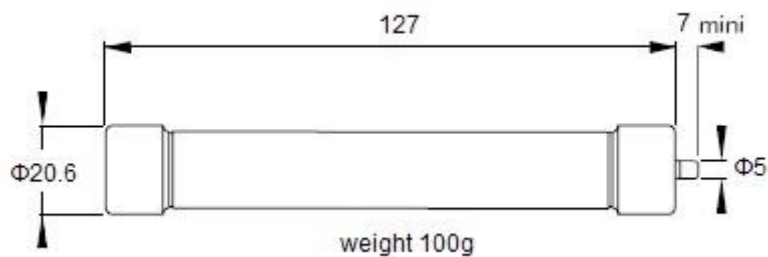
Cylindrical fuse holders KCB27-160A 熔断器底座



Main Characteristics 主要电气参数 $\Phi 20 \times 127$ -1000V DC gRB - gRD from 6 to 63 A

Size 瓷管代号	Catalog Numbers 订货号	Designation Type 型号规格	Rated Current I_N (A) 电流	Rated Voltage U_N (V) 电压	Watts Loss(W) 功耗		Breaking Capacity 分断能力 (KA)
					0.8 I_N	I_N	
$\Phi 20 \times 127$ With striker 指示器	109B2001	KD20-K-6A /1000VDCgR20*127	6A	1000VDC	2.0	3.5	@ 1000 VDC =100kA L/R = 20 ms
	109B2002	KD20-K-8A /1000VDCgR20*127	8A	1000VDC	2.2	3.8	
	109B2003	KD20-K-10A /1000VDCgR20*127	10A	1000VDC	2.4	4.2	
	109B2004	KD20-K-12A /1000VDCgR20*127	12A	1000VDC	3.0	5.3	
	109B2005	KD20-K-16A /1000VDCgR20*127	16A	1000VDC	3.7	6.6	
	109B2006	KD20-K-20A /1000VDCgR20*127	20A	1000VDC	4.4	7.7	
	109B2007	KD20-K-25A /1000VDCgR20*127	25A	1000VDC	5.1	9	
	109B2008	KD20-K-32A /1000VDCgR20*127	32A	1000VDC	6.0	10.5	
	109B2009	KD20-K-40A /1000VDCgR20*127	40A	1000VDC	7.3	13.2	
	109B2010	KD20-K-50A /1000VDCgR20*127	50A	1000VDC	8.5	15.5	
	109B2011	KD20-K-63A /1000VDCgR20*127	63A	1000VDC	9.6	17.4	

Dimensions 安装尺寸:

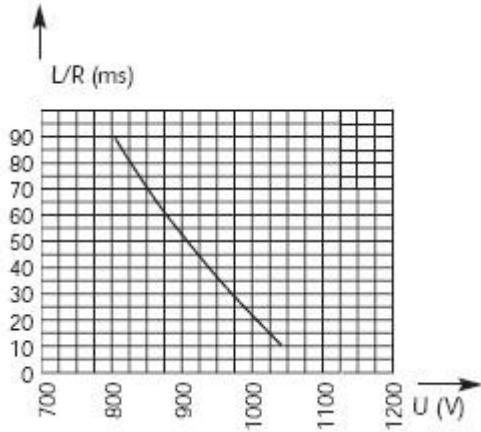


With striker



Main Characteristics 主要电气参数 $\Phi 20 \times 127$ -1000V DC gRB - gRD from 6 to 63 A

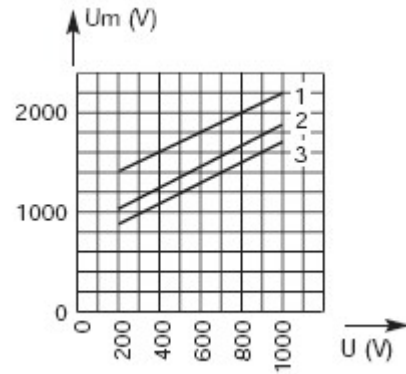
DC applications data 直流电压和时间常数曲线:



Max. AC voltage (50/60 Hz):

1500 V with breaking capacity of 100 kA

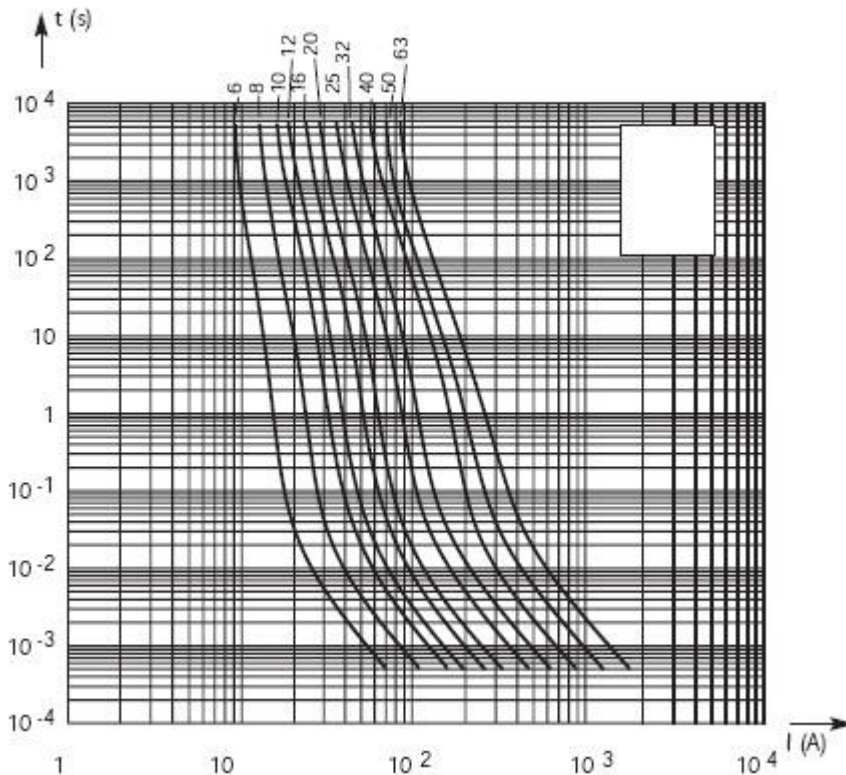
Peak arc voltage vs. working voltage 电弧电压和额定电压曲线



1、L/R = 50 ms 2、L/R = 25 ms 3、L/R = 15 ms

Above: Curves indicate for various time constants L/R the peak arc voltage which may appear across fuse terminals, vs. DC working voltage

Time vs. current characteristics 时间-电流特性曲线:

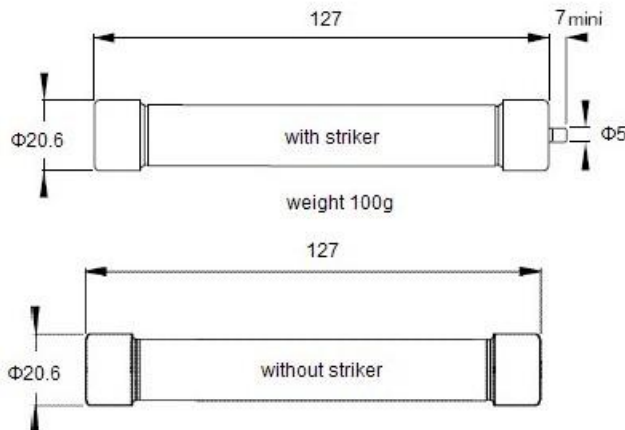


Above: Curves indicate, for each rated current, pre-arcing time vs. R.M.S. pre-arcing current.

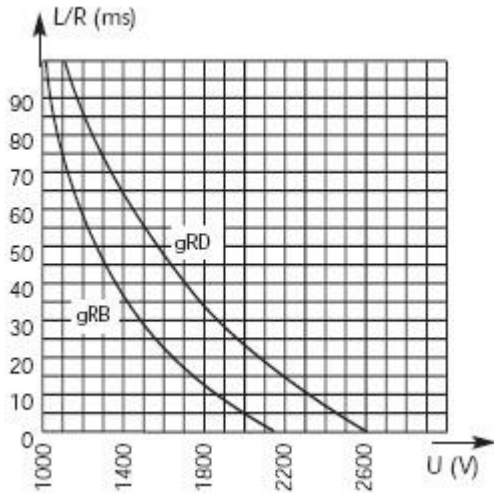
Main Characteristics 电气参数 $\Phi 20 \times 127$ -1500V DC gRB - gRD from 0.8 to 25 A

Size 瓷管代号	Catalog Numbers 订货号	Designation Type 型号规格	Rated Current I_N (A) 电流	Rated Voltage U_N (V) 电压	Watts Loss (W) 功耗		Breaking Capacity 分断能力 (KA)
					0.8 I_N	I_N	
$\Phi 20 \times 127$ Without striker 无指示器	109B2019	KD20-0.8A /1500VDCgR20*127	0.8A	1500VDC	0.5	0.9	@ 1500 VDC =100kA L/R = 20 ms
	109B2020	KD20-1A /1500VDCgR20*127	1A	1500VDC	0.5	0.9	
	109B2021	KD20-1.5A /1500VDCgR20*127	1.5A	1500VDC	0.8	1.4	
	109B2022	KD20-2A /1500VDCgR20*127	2A	1500VDC	0.9	1.6	
	109B2023	KD20-3.15A /1500VDCgR20*127	3.15A	1500VDC	1.2	2.1	
	109B2024	KD20-4A /1500VDCgR20*127	4A	1500VDC	1.3	2.1	
	109B2025	KD20-5A /1500VDCgR20*127	5A	1500VDC	1.4	2.3	
	109B2026	KD20-6A /1500VDCgR20*127	6A	1500VDC	3.4	6.3	@ 1500 VDC =30kA L/R = 55 ms
	109B2027	KD20-8A /1500VDCgR20*127	8A	1500VDC	3.3	6.0	
	109B2028	KD20-10A /1500VDCgR20*127	10A	1500VDC	3.5	6.1	
	109B2029	KD20-12A /1500VDCgR20*127	12A	1500VDC	3.9	6.8	
	109B2030	KD20-16A /1500VDCgR20*127	16A	1500VDC	5	8.9	
	109B2031	KD20-20A /1500VDCgR20*127	20A	1500VDC	5.3	9.6	
	109B2032	KD20-25A /1500VDCgR20*127	25A	1500VDC	6.6	12	
$\Phi 20 \times 127$ With striker 有指示器	109B2012	KD20-K-0.8A /1500VDCgR20*127	0.8A	1500VDC	0.5	0.9	@ 1000 VDC =100kA L/R =100 ms
	109B2013	KD20-K-1A /1500VDCgR20*127	1A	1500VDC	0.5	0.9	
	109B2014	KD20-K-1.5A /1500VDCgR20*127	1.5A	1500VDC	0.8	1.4	
	109B2015	KD20-K-2A /1500VDCgR20*127	2A	1500VDC	0.9	1.6	
	109B2016	KD20-K-3.15A /1500VDCgR20*127	3.15A	1500VDC	1.2	2.1	
	109B2017	KD20-K-4A /1500VDCgR20*127	4A	1500VDC	1.3	2.1	
	109B2018	KD20-K-5A /1500VDCgR20*127	5A	1500VDC	1.4	2.3	

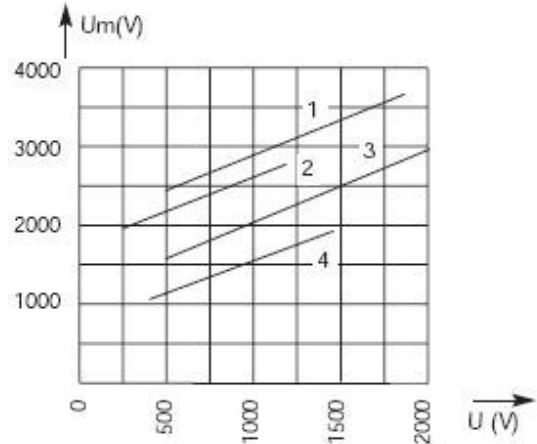
Dimensions 安装尺寸:



DC applications data



Peak arc voltage vs. working voltage

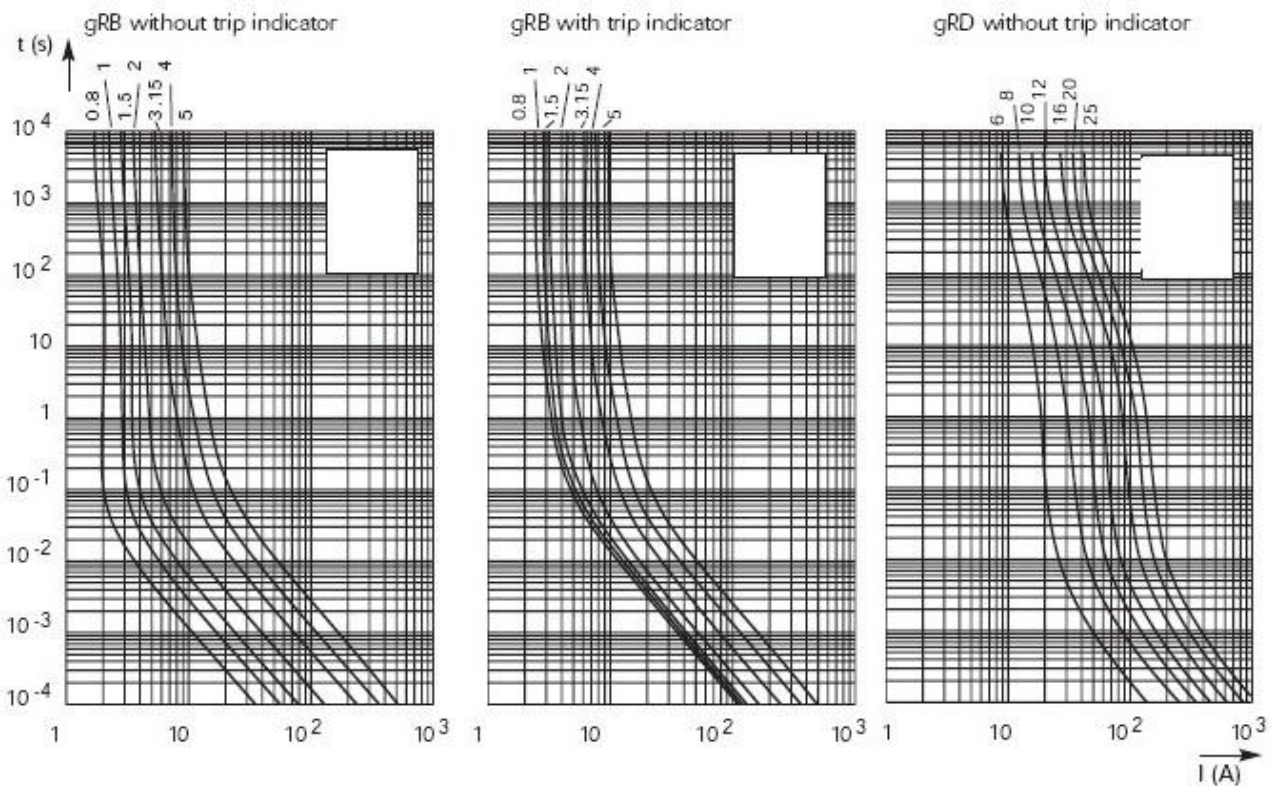


Curve 1: gRD @ $L/R = 30$ ms Curve 2: gRB @ $L/R = 60$ ms
Curve 3: gRD @ $L/R = 15$ ms Curve 4: gRB @ $L/R = 30$ ms

Max. AC voltage (50/60 Hz): 2500 V with breaking capacity of 50 kA

Above: Curves indicate for various time constants L/R the peak arc voltage which may appear across fuse terminals, vs. DC working voltage

Time vs. current characteristics

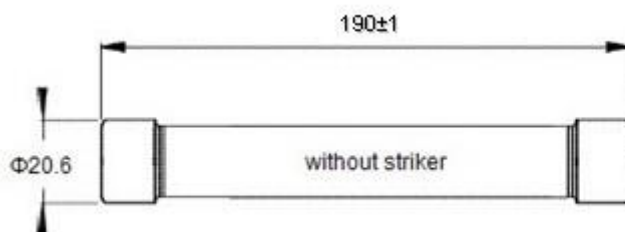


Above: Curves indicate, for each rated current, pre-arcing time vs. R.M.S. pre-arcing current.

Main Characteristics 主要电气参数 电压2000V DC gRB - gRD from 0.8 to 25 A

Size 瓷管代号	Catalog Numbers 订货号	Designation Type 型号规格	Rated Current I_N (A) 电流	Rated Voltage U_N (V) 电压	Watts Loss(W) 功耗		Breaking Capacity 分断能力 (KA)
					0.8 I_N	I_N	
$\Phi 20 \times 190$ Without striker 无指示器	109B2060	KD20-0.8A /2000VDCgR20*190	0.8A	2000VDC	0.5	0.9	@ 2000 VDC =63KA L/R = 55 ms
	109B2061	KD20-1A /2000VDCgR20*190	1A	2000VDC	0.5	0.9	
	109B2062	KD20-1.5A /2000VDCgR20*190	1.5A	2000VDC	0.8	1.4	
	109B2063	KD20-2A /2000VDCgR20*190	2A	2000VDC	0.9	1.6	
	109B2064	KD20-3.15A /2000VDCgR20*190	3.15A	2000VDC	1.2	2.1	
	109B2065	KD20-4A /2000VDCgR20*190	4A	2000VDC	1.3	2.1	
	109B2066	KD20-5A /2000VDCgR20*190	5A	2000VDC	1.4	2.3	
	109B2067	KD20-6A /2000VDCgR20*190	6A	2000VDC	3.4	6.3	
	109B2068	KD20-8A /2000VDCgR20*190	8A	2000VDC	3.5	6.5	
	109B2069	KD20-10A /2000VDCgR20*190	10A	2000VDC	4.0	7	
	109B2070	KD20-12A /2000VDCgR20*190	12A	2000VDC	4.2	8	
	109B2071	KD20-16A /2000VDCgR20*190	16A	2000VDC	5.5	10	
	109B2072	KD20-20A /2000VDCgR20*190	20A	2000VDC	6	11	
	109B2073	KD20-25A /2000VDCgR20*190	25A	2000VDC	7.5	15	

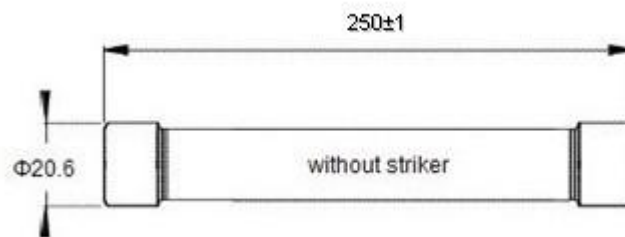
Dimensions 安装尺寸:



Main Characteristics 主要电气参数 电压: 3000V DC gR from 0.8 to 25 A

Size 瓷管代号	Catalog Numbers 订货号	Designation Type 型号规格	Rated Current I_N (A) 电流	Rated Voltage U_N (V) 电压	Watts Loss(W) 功耗		Breaking Capacity 分断能力 (KA)
					0.8 I_N	I_N	
$\Phi 20 \times 250$ Without striker 无指示器	109B2070	KD20-0.8A /3000VDCgR20*250	0.8A	3000VDC	1	1.8	@ 3000 VDC =63kA
	109B2071	KD20-1A /3000VDCgR20*250	1A	3000VDC	1.1	2	
	109B2072	KD20-1.5A /3000VDCgR20*250	1.5A	3000VDC	1.8	3	
	109B2073	KD20-2A /3000VDCgR20*250	2A	3000VDC	2	3.3	
	109B2074	KD20-3.15A /3000VDCgR20*250	3.15A	3000VDC	2.8	5	
	109B2075	KD20-4A /3000VDCgR20*250	4A	3000VDC	4	7	
	109B2076	KD20-5A /3000VDCgR20*250	5A	3000VDC	5	8.8	
	109B2077	KD20-6A /3000VDCgR20*250	6A	3000VDC	5.3	9	
	109B2078	KD20-8A /3000VDCgR20*250	8A	3000VDC	6	10	
	109B2079	KD20-10A /3000VDCgR20*250	10A	3000VDC	7	12	
	109B2080	KD20-12A /3000VDCgR20*250	12A	3000VDC	7.6	13	
	109B2081	KD20-16A /3000VDCgR20*250	16A	3000VDC	10.5	18	
	109B2082	KD20-20A /3000VDCgR20*250	20A	3000VDC	10	17.5	
	109B2083	KD20-25A /3000VDCgR20*250	25A	3000VDC	12	21	

Dimensions 安装尺寸:



Main Characteristics 主要电气参数 电压等级 1000VAC~2000VAC~3000VDC

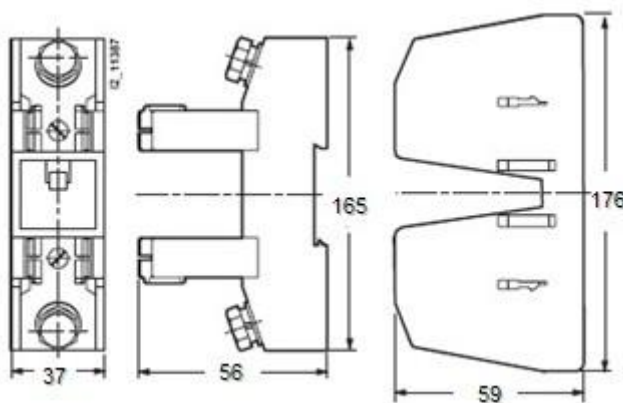
Cylindrical fuse holders $\Phi 20*127$ 熔断器配套底座Can be used as fuse switch disconnectors¹

Size 熔芯瓷管代号 mm×mm	U_e (V)电压 AC	Catalog Numbers 订货号	Weight 重量 (Kg)
$\Phi 20*127$	1000V	KCB20-63A	0.25

Dimensional drawings 安装示意图:



Cylindrical fuse holders
KCB20-63A



Cylindrical fuse holders KCB20-63A 熔断器底座

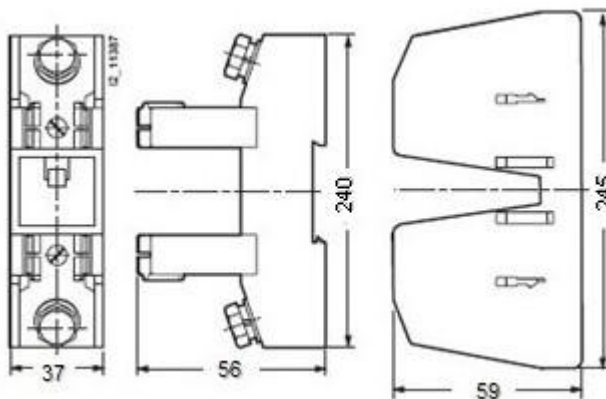
Cylindrical fuse holders $\Phi 20*190$ 熔断器配套底座

Size 熔芯瓷管代号 mm×mm	U_e (V)电压 AC/VDC	Catalog Numbers 订货号	Weight 重量 (Kg)
$\Phi 20*190$	2000V~2000V	KCB19-25A	0.36

Dimensional drawings 安装示意图:



Cylindrical fuse holders



KCB19-25A 熔断器配套底座

Main Characteristics 主要电气参数 电压等级 1000VAC~2000VAC~3000VDC

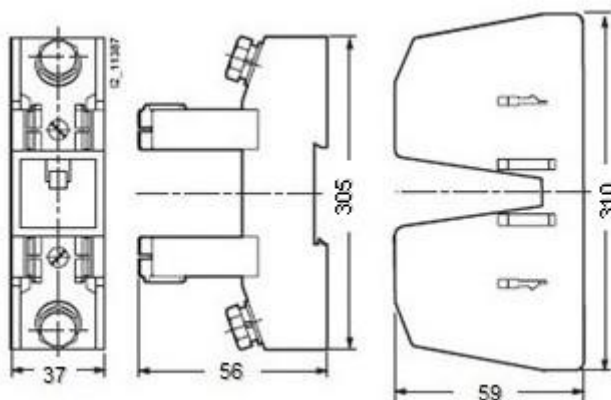
Cylindrical fuse holders $\Phi 20*250$ 熔断器配套底座

Size 熔芯瓷管代号 mm×mm	U_e (V)电压 AC/VDC	Catalog Numbers 订货号	Weight 重量 (Kg)
$\Phi 20*250$	3000V~3000V	KCB21-25A	0.55

Dimensional drawings 安装示意图:



Cylindrical fuse holders



KCB21-25A熔断器配套底座

