

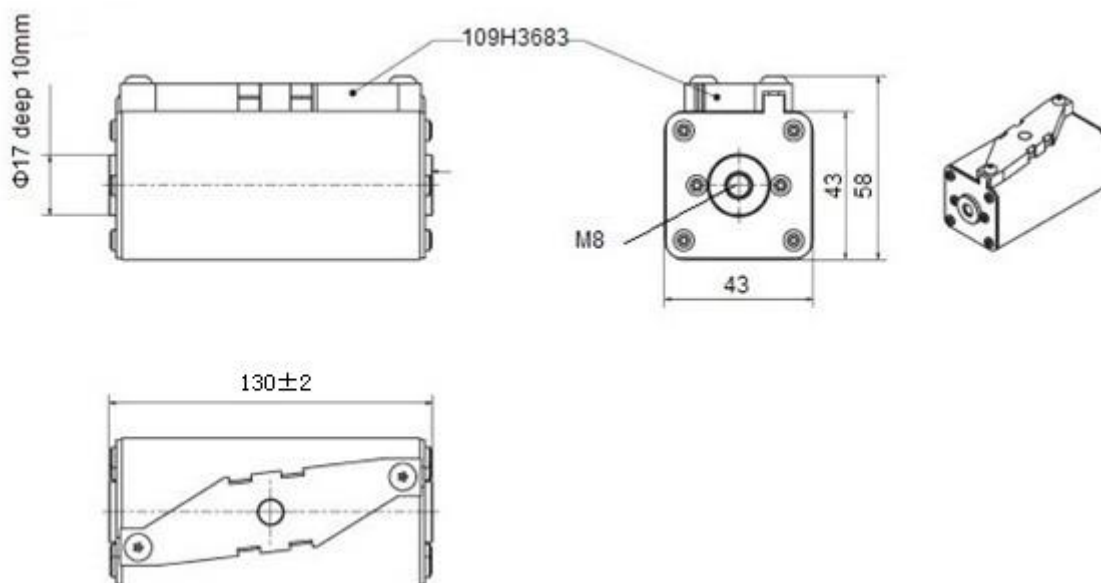
Main Characteristics 主要技术参数 750V~900VDC 电流范围 gR from 50 to 160 A

Size 瓷管 代号	Catalog Numbers 订货号	Designation Type 型号规格	Ampere 电流 (A)	Voltage 电压 (V)	Watts Loss(W) 功耗		I ² t @900V L/R=45ms 熔断 I ² t(A ² S)	
					0.8I _n	I _n	I _p = 10 I _N (A ² S)	I _p = 50 I _N (A ² S)
0BKN/130	109E7010	KPD0-50A/750VDC0BKN130	50A	750V~900VDC	4.4	8.1	42500	8500
	109E7011	KPD0-63A/750VDC0BKN130	63A	750V~900VDC	5.7	10.4	75500	15000
	109E7012	KPD0-80A/750VDC0BKN130	80A	750V~900VDC	7.3	13.4	125000	24500
	109E7013	KPD0-100A/750VDC0BKN130	100A	750V~900VDC	9.1	16.7	200000	40000
	109E7014	KPD0-125A/750VDC0BKN130	125A	750V~900VDC	11.5	21	315000	62500
	109E7015	KPD0-160A/750VDC0EKN130	160A	750V~900VDC	15	27	485000	100000
0EKN/160	109E7016	KED0-50A/750VDC0EKN160	50A	750V~900VDC	4.4	8.1	42500	8500
	109E7017	KED0-63A/750VDC0EKN160	63A	750V~900VDC	5.7	10.4	75500	15000
	109E7018	KED0-80A/750VDC0EKN160	80A	750V~900VDC	7.3	13.4	125000	24500
	109E7019	KED0-100A/750VDC0EKN160	100A	750V~900VDC	9.1	16.7	200000	40000
	109E7021	KED0-125A/750VDC0EKN160	125A	750V~900VDC	11.5	21	315000	62500
	109E7021	KED0-160A/750VDC0EKN160	160A	750V~900VDC	15	27	485000	100000

Breaking Capacity 分断能力 (KA) @ 750 V=100KA L/R = 100 ms

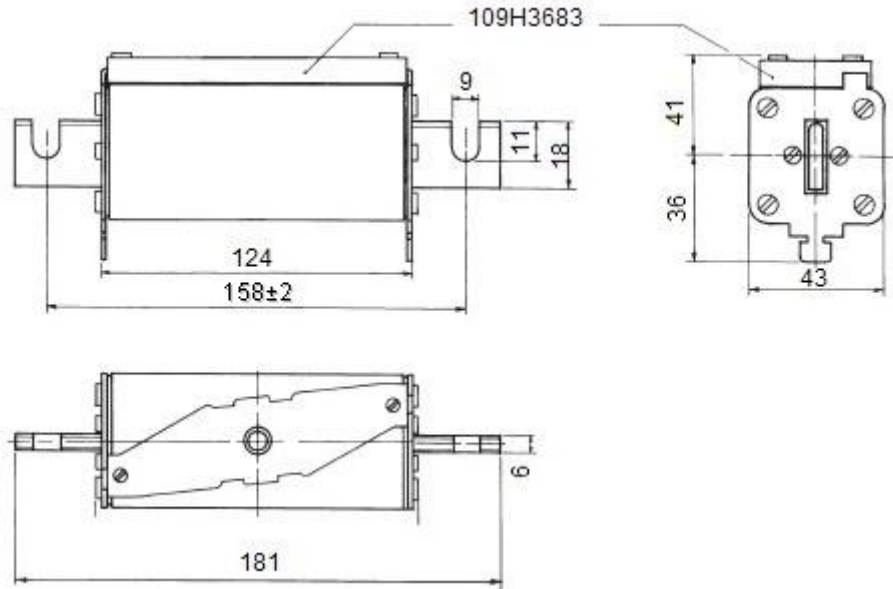
Breaking Capacity 分断能力 (KA) @ 900 V=100KA L/R = 40 ms

Dimensions(mm) (0BKN/130) 安装尺寸示意图



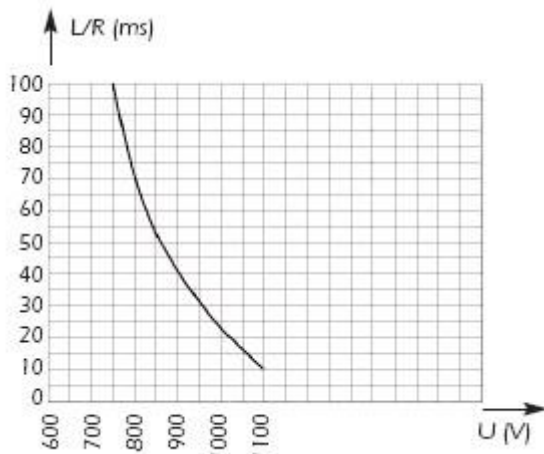
Main Characteristics 主要技术参数 750V~900VDC 电流范围 gR from 50 to 160 A

Dimensions(mm) (0EKN/160) 安装尺寸示意图



Electrical characteristics 电气特性：

DC applications data

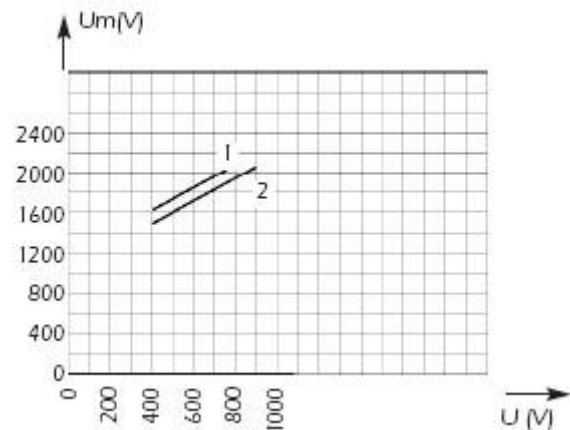


Above: Curve indicates maximum permissible value of time constant L/R as a function of DC working voltage

Max. AC voltage (50/60 Hz):

1250 V with breaking capacity of 170 kA

Peak arc voltage vs. working voltage

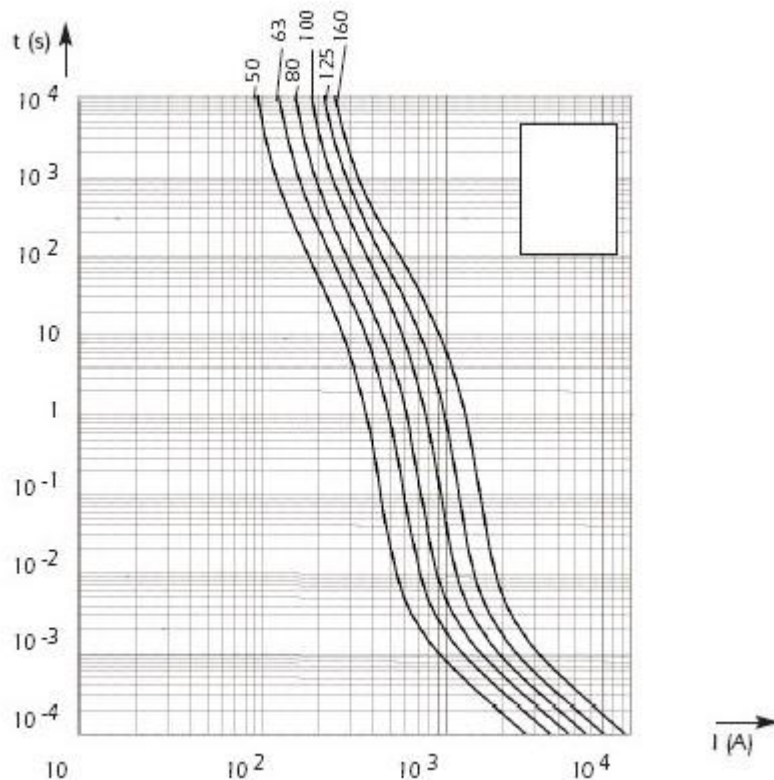


1 : L/R = 100 ms 2 : L/R = 40 ms

Above: Curves indicate for various time constants L/R the peak arc voltage, which may appear across fuse terminals, vs. DC working voltage

Main Characteristics 主要技术参数 750V~900VDC 电流范围 gR from 50 to 160 A

Time vs current characteristic 时间电流特性曲线:



Above: Curves indicate, for each rated current, pre-arcing time vs. R.M.S. pre-arcing current.



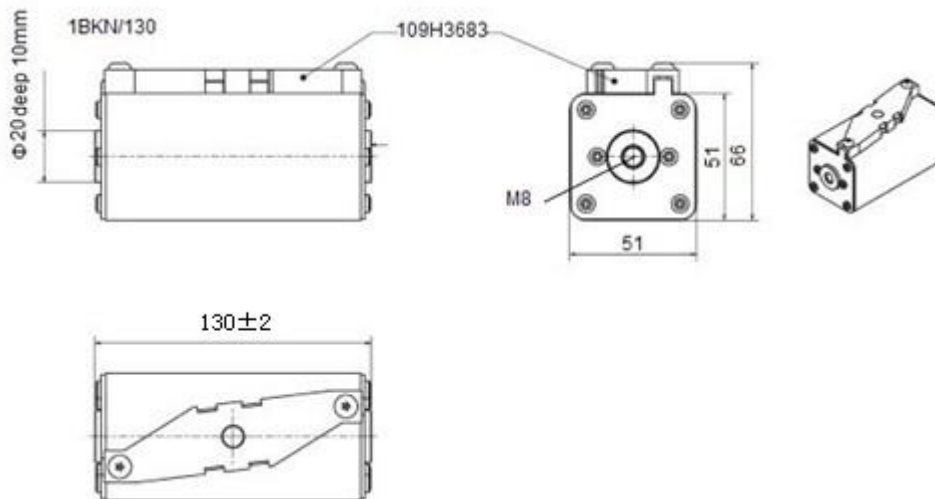
Main Characteristics 主要技术参数 750V~900VDC 电流范围 gR from 200 to 250 A

Size 瓷管 代号	Catalog Numbers 订货号	Designation Type 型号规格	Ampere 电流 (A)	Voltage 电压 (V)	Watts Loss (W) 功耗		I ² t @900V L/R=45ms 熔断 I ² t(A ² S)	
					0.8I _N	I _N	I _P = 10 I _N (A ² S)	I _P = 50 I _N (A ² S)
1BKN/130	109E7110	KPD1-200A/750VDC1BKN130	200A	750V~900VDC	20.5	37.5	755000	150000
	109E7111	KPD1-250A/750VDC1BKN130	250A	750V~900VDC	25.5	46.5	1250000	250000
1EKN/167	109E7112	KED1-200A/750VDC1EKN167	200A	750V~900VDC	20.5	37.5	755000	150000
	109E7113	KED1-250A/750VDC1EKN167	250A	750V~900VDC	25.5	46.5	1250000	250000

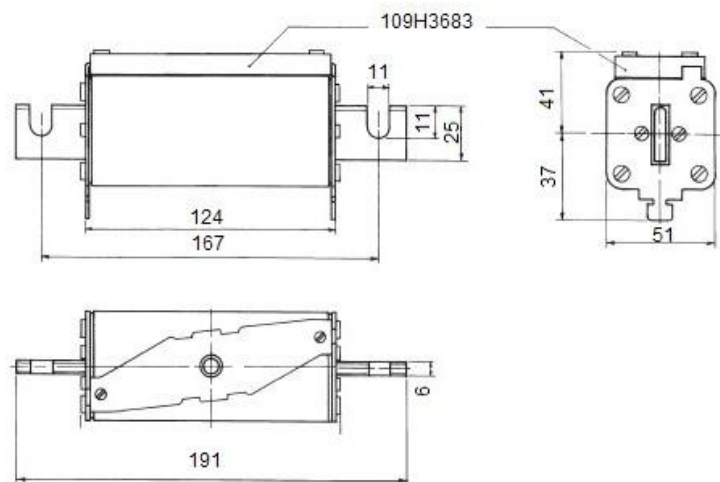
Breaking Capacity 分断能力 (KA) @ 750 V=100KA L/R = 100 ms

Breaking Capacity 分断能力 (KA) @ 900 V=100KA L/R = 40 ms

Dimensions (1BKN/130) 安装尺寸示意图:



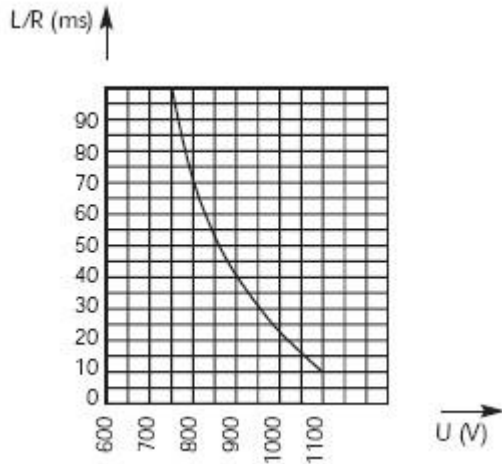
Dimensions (1EKN/167) 安装尺寸示意图:



Main Characteristics 主要技术参数 750V~900VDC 电流范围 gR from 200 to 250 A

Electrical characteristics 电气特性:

DC applications data



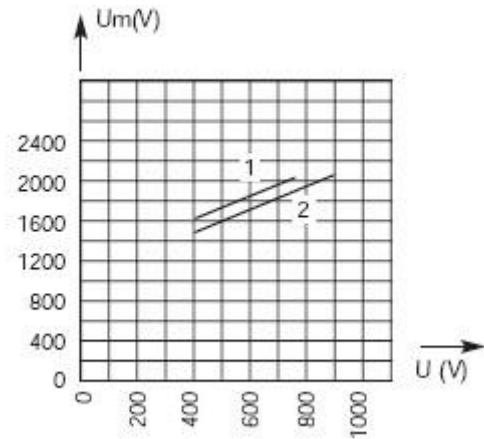
Above: Curve indicates maximum permissible value of time constant L/R as a function of DC working voltage

Max. AC voltage (50/60 Hz):

1250 V with breaking capacity of 170 kA

Time vs current characteristic 时间电流特性曲线:

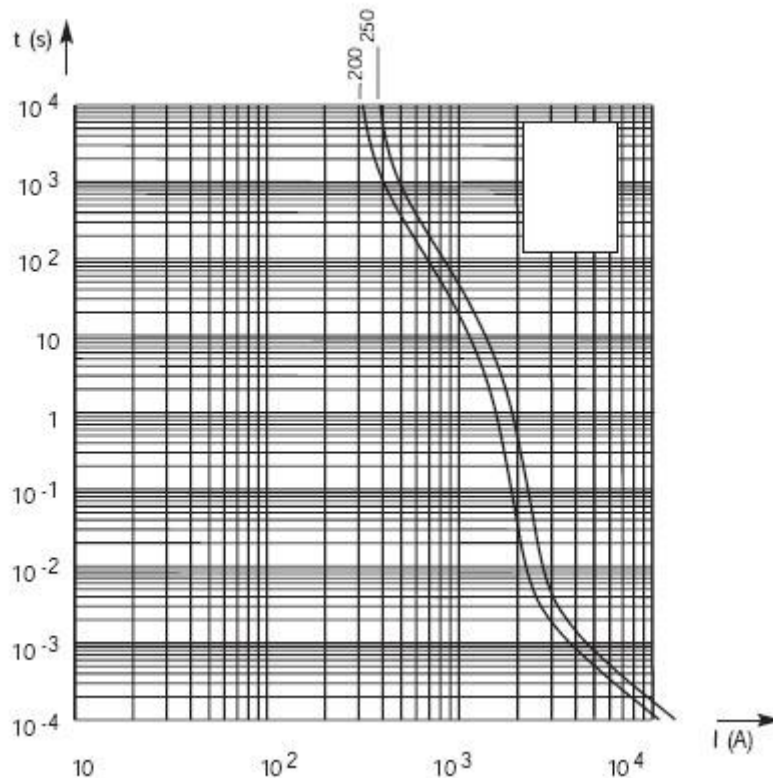
Peak arc voltage vs. working voltage



1 : L/R = 100 ms 2 : L/R = 40 ms

Above: Curves indicate for various time constants

L/R the peak arc voltage, which may appear across fuse terminals, vs. DC working voltage



Above: Curves indicate, for each rated current, pre-arcing time vs. R.M.S. pre-arcing current.

Main Characteristics 主要技术参数 750V~900VDC 电流范围 gR from 250 to 500 A

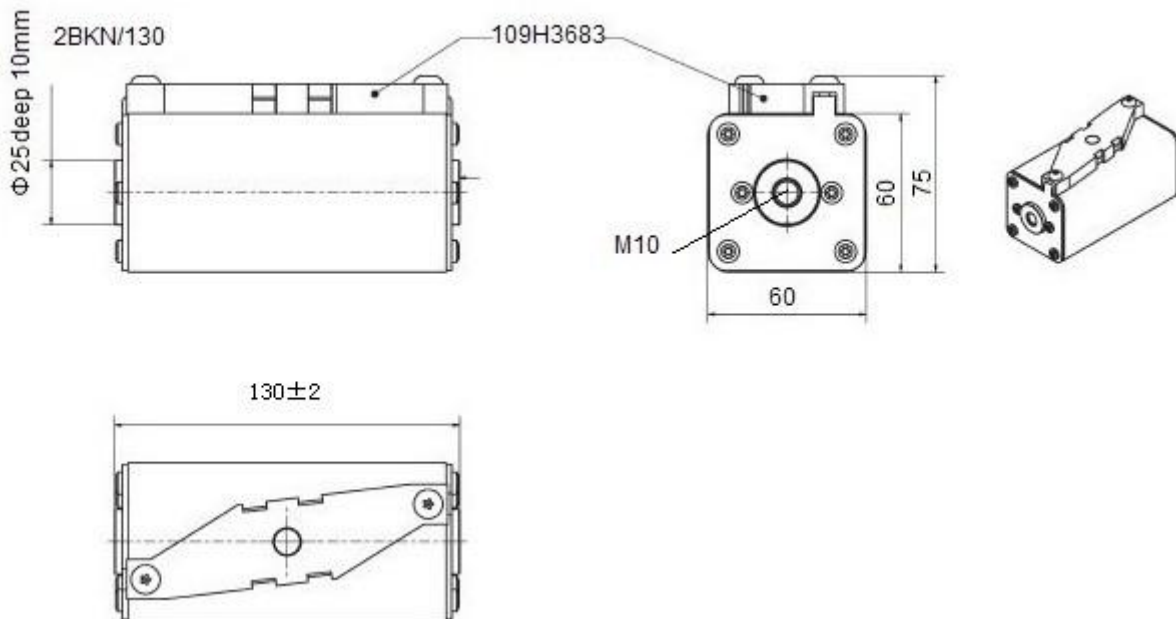
Size 瓷管 代号	Catalog Numbers 订货号	Designation Type 型号规格	Ampere 电流 (A)	Voltage 电压 (V)	Watts Loss(W) 功耗		I ² t @900V L/R=45ms 熔断I ² t(A ² S)	
					0.8I _N	I _N	I _P = 10 I _N (A ² S)	I _P = 50I _N (A ² S)
2BKN/130	109E7210	KPD2-250A/750VDC2BKN130	250A	750V~900VDC	25.5	46.7	1250000	250000
	109E7211	KPD2-315A/750VDC2BKN130	315A	750V~900VDC	31.5	58	2000000	400000
	109E7212	KPD2-350A/750VDC2BKN130	350A	750V~900VDC	35	64.5	2500000	500000
	109E7213	KPD2-400A/750VDC2BKN130	400A	750V~900VDC	40.5	74.5	3100000	600000
	109E7214	KPD2-450A/750VDC2BKN130	450A	750V~900VDC	49	90	4000000	800000
	109E7215	KPD2-500A/750VDC2BKN130	500A	660V~750VDC	52	95	6200000	1200000
2EKN/170	109E7216	KED2-250A/750VDC2EKN170	250A	750V~900VDC	25.5	46.7	1250000	250000
	109E7217	KED2-315A/750VDC2EKN170	315A	750V~900VDC	31.5	58	2000000	400000
	109E7218	KED2-350A/750VDC2EKN170	350A	750V~900VDC	35	64.5	2500000	500000
	109E7219	KED2-400A/750VDC2EKN170	400A	750V~900VDC	40.5	74.5	3100000	600000
	109E7220	KED2-450A/750VDC2EKN170	450A	750V~900VDC	49	90	4000000	800000
	109E7221	KED2-500A/750VDC2EKN170	500A	660V~750VDC	52	95	6200000	1200000

250A~450A Breaking Capacity 分断能力 (KA) @ 750 V=100KA L/R = 100 ms

250A~450A Breaking Capacity 分断能力 (KA) @ 900 V=100KA L/R = 40 ms

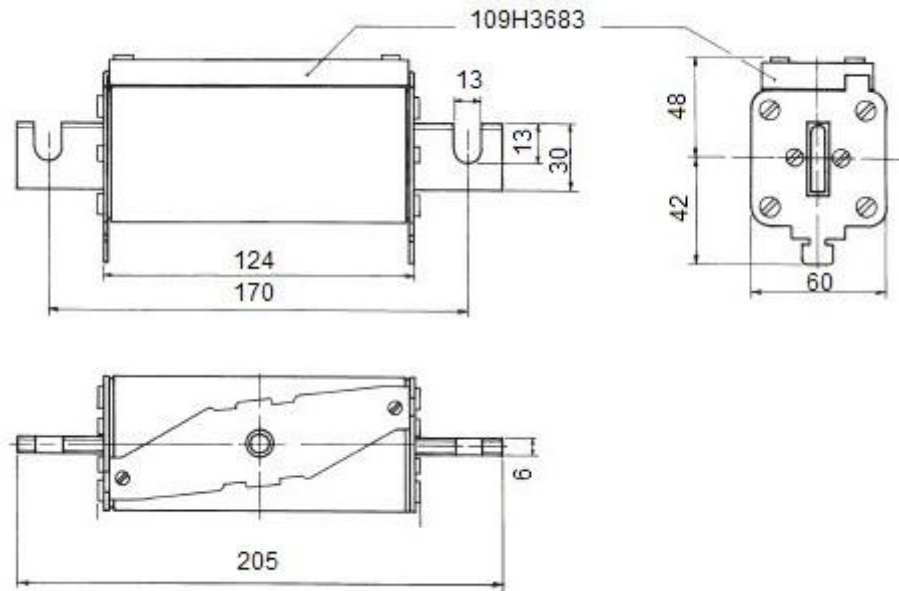
500A Breaking Capacity 分断能力 @ 750 V=100KA L/R = 100 ms;

Dimensions (2BKN/130) 安装尺寸示意图: (mm)



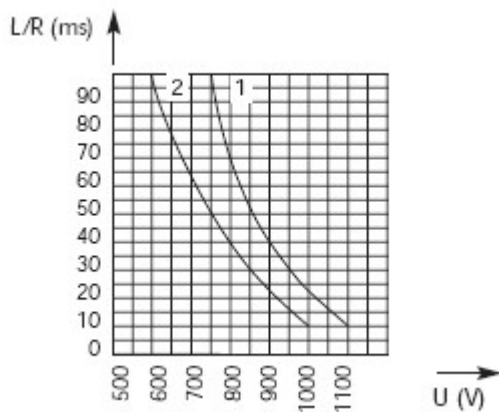
Main Characteristics 主要技术参数 750V~900VDC 电流范围 gR from 250 to 500 A

Dimensions (2EKN/170) 安装尺寸示意图: (mm)



Electrical characteristics 电气特性:

DC applications data



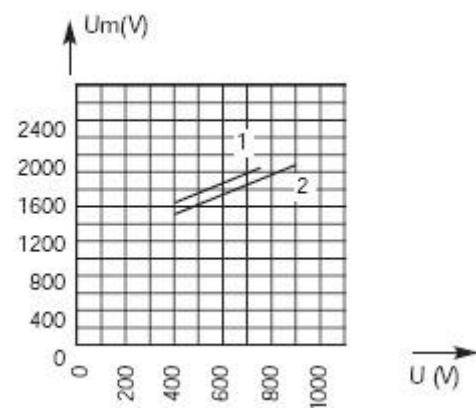
1: curve gRC – Grd250~ 450A 2: curve gRD 500A

Above: Curve indicates maximum permissible value of time constant L/R as a function of DC working voltage

Max. AC voltage (50/60 Hz):

1250 V with breaking capacity of 170 kA

Peak arc voltage vs. working voltage

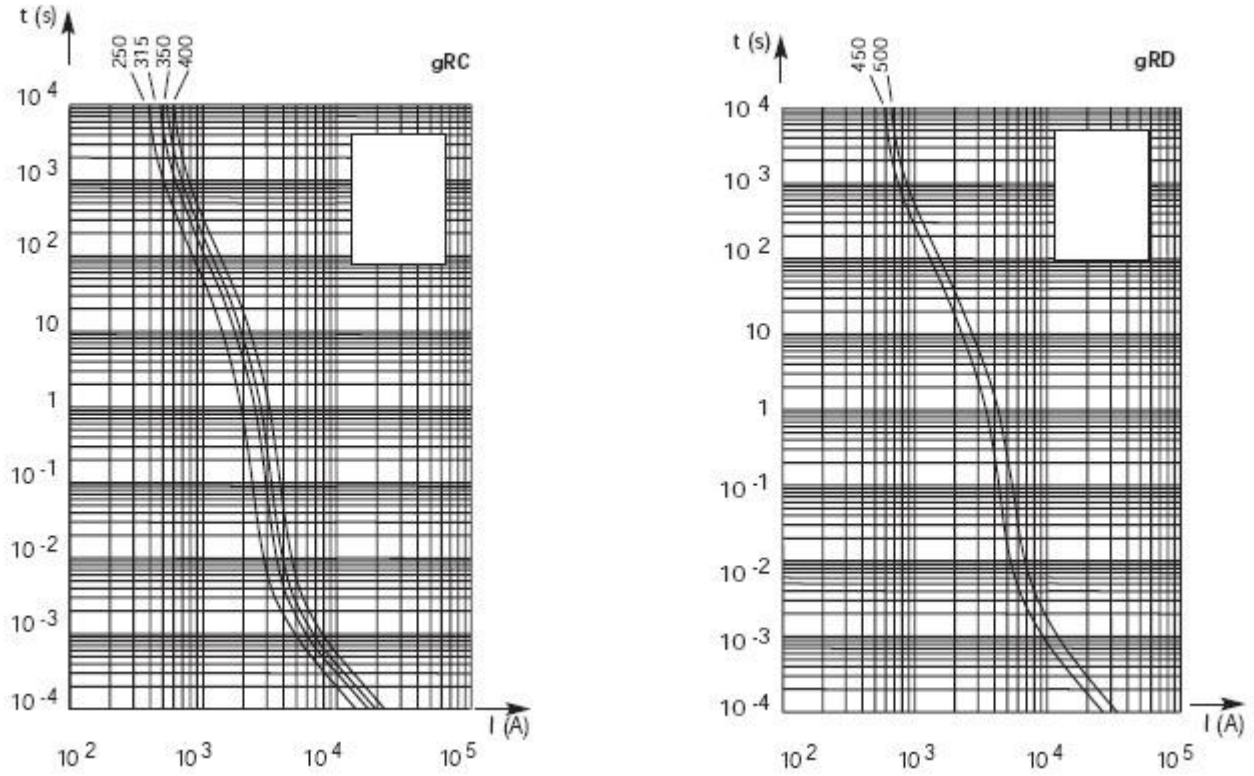


1 : L/R = 100 ms 2 : L/R = 40 ms

Above: Curves indicate for various time constants L/R the peak arc voltage, which may appear across fuse terminals, vs. DC working voltage

Main Characteristics 主要技术参数 750V~900VDC 电流范围 gR from 250 to 500 A

Time vs. current characteristics 时间电流特性曲线:



Above: Curves indicate, for each rated current, pre-arcing time vs. R.M.S. pre-arcing current.



Main Characteristics 技术参数 660V, 750V, 900VDC 电流 gRB, gRC, gRD from 500 to 800 A

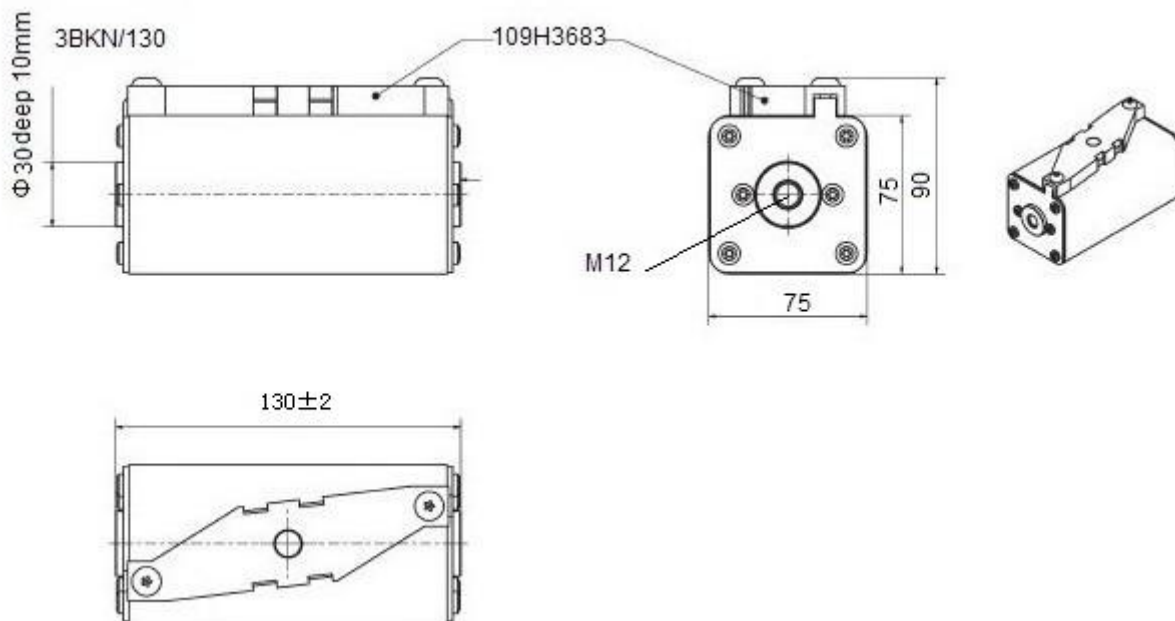
Size 瓷管 代号	Catalog Numbers 订货号	Designation Type 型号规格	Ampere 电流 (A)	Voltage 电压 (V)	Watts Loss(W) 功耗		I ² t @900V L/R=45ms 熔断I ² t(A ² S)	
					0.8I _N	I _N	I _P = 10 I _N (A ² S)	I _P = 50 I _N (A ² S)
3BKN/130	109E7310	KPD3-500A/750VDC3BKN130	500A	750V~900VDC	51	93.5	5000000	1000000
	109E7311	KPD3-630A/750VDC3BKN130	630A	660V~750VDC	74	134	7500000	1500000
	109E7312	KPD3-700A/750VDC3BKN130	700A	660V~750VDC	82	148	10000000	2000000
	109E7313	KP3-750A/750VDC3BKN130	750A	660V~750VDC	82	148	10000000	2000000
	109E7314	KPD3-800A/660VDC3BKN130	800A	660VDC	90	162	12150000	2600000
3EKN/170	109E7315	KED3-500A/750VDC3EKN170	500A	750V~900VDC	51	93.5	5000000	1000000
	109E7316	KED3-630A/750VDC3EKN170	630A	660V~750VDC	74	134	7500000	1500000
	109E7317	KED3-700A/750VDC3EKN170	700A	660V~750VDC	82	148	10000000	2000000
	109E7319	KED3-750A/750VDC3EKN170	750A	660V~750VDC	82	148	10000000	2000000
	109E7319	KED3-800A/660VDC3EKN170	800A	660VDC	90	162	12150000	2600000

500A Breaking Capacity 分断能力 @ 750 V=100KA L/R = 100 ms; Breaking Capacity 分断能力 @ 900 V=100KA L/R = 40 ms.

630A~750A Breaking Capacity 分断能力 @ 750 V=100KA L/R = 100 ms;

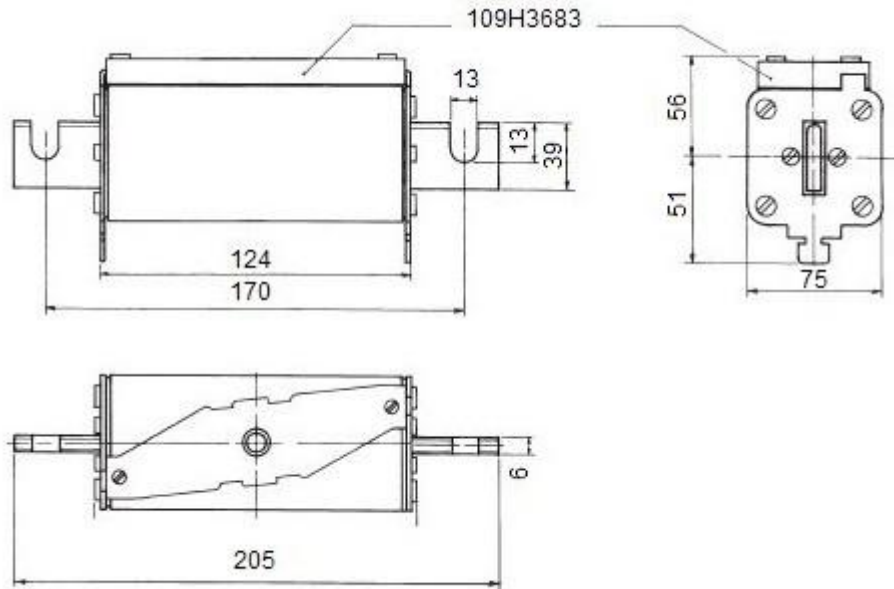
800A Breaking Capacity 分断能力 @ 660 V=100KA L/R = 50 ms;

Dimensions (3BKN/130) 安装尺寸示意图



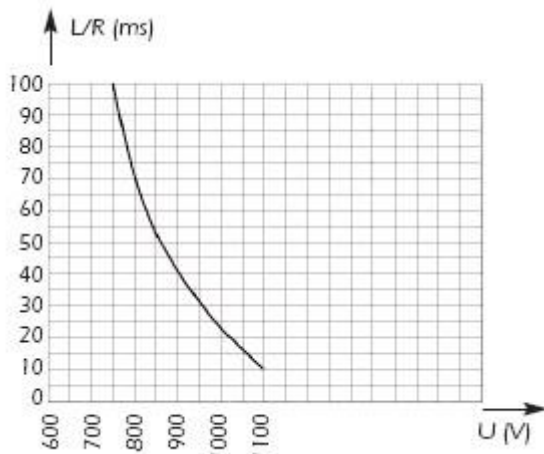
Main Characteristics 技术参数 **660V, 750V, 900VDC** 电流 gRB, gRC, gRD from **500 to 800 A**

Dimensions (3EKN/170) 安装尺寸示意图



Electrical characteristics 电气特性:

DC applications data

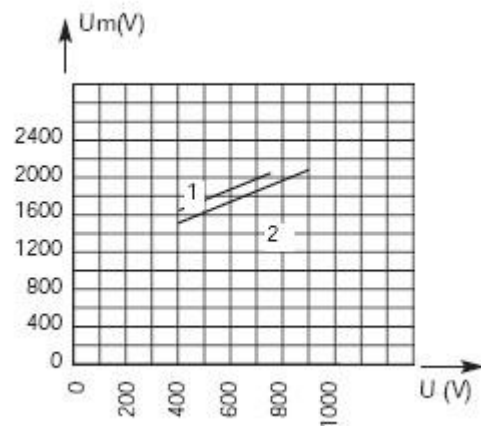


Above: Curve indicates maximum permissible value of time constant L/R as a function of DC working voltage

Max. AC voltage (50/60 Hz):

1250 V with breaking capacity of 170 kA

Peak arc voltage vs. working voltage

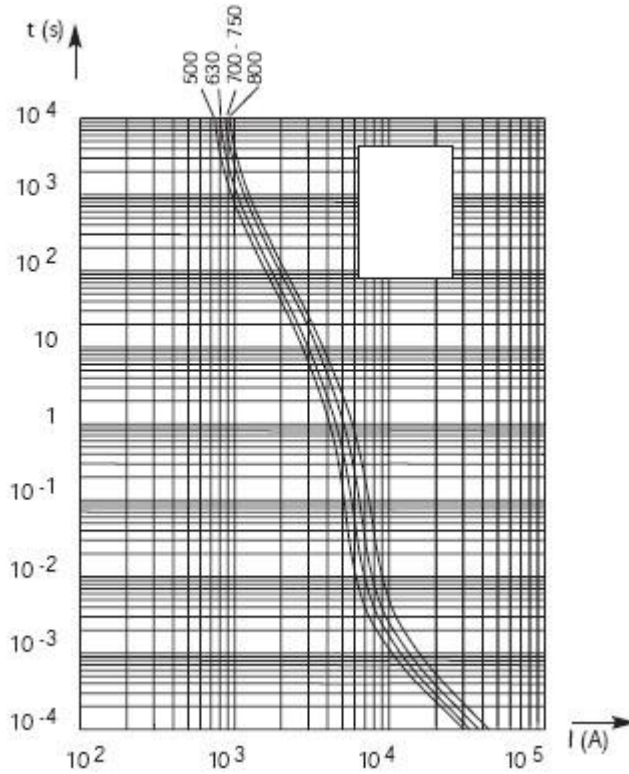


1 : L/R = 100 ms 2 : L/R = 40 ms

Above: Curves indicate for various time constants L/R the peak arc voltage, which may appear across fuse terminals, vs. DC working voltage

Main Characteristics 技术参数 **660V, 750V, 900VDC** 电流 $I_{gRB}, I_{gRC}, I_{gRD}$ from **500 to 800 A**

Time vs current characteristic 时间电流特性曲线:



Above: Curves indicate, for each rated current, pre-arcing time vs. R.M.S. pre-arcing current.

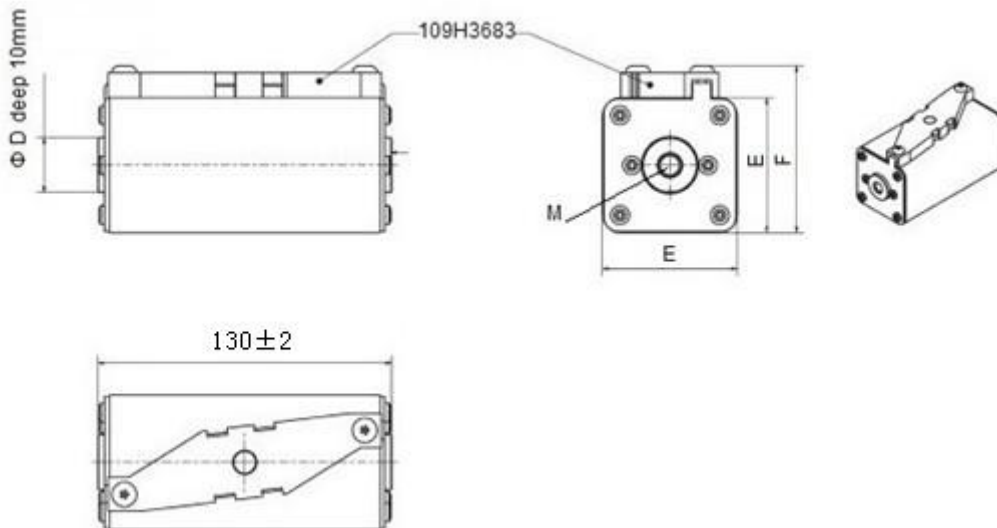


Main Characteristics 主要技术参数 750V~900V DC 电流范围 gR from 500 to 1000A

Size 瓷管 代号	Catalog Numbers 订货号	Designation Type 型号规格	Ampere 电流 (A)	Voltage 电压 (V)	Watts Loss 功耗(W)		I ² t @900V L/R=45ms 熔断I ² t(A ² S)	
					0.8I _N	I _N	I _P = 10 I _N (A ² S)	I _P = 50I _N (A ² S)
4BKN/130	109E7410	KPD4-500A/750VDC4BKN130	500A	750V~900VDC	51	94	5000000	1000000
	109E7411	KPD4-630A/750VDC4BKN130	630A	750V~900VDC	63	116	8000000	1600000
	109E7412	KPD4-800A/750VDC4BKN130	800A	750V~900VDC	81	149	12400000	2400000
	109E7413	KPD4-900A/750VDC4BKN130	900A	660V~750VDC	98	180	16000000	3200000
5BKN/130	109E7510	KPD5-630A/750VDC5BKN130	630A	750V~900VDC	65	120	6500000	1050000
	109E7511	KPD5-800A/750VDC5BKN130	800A	750V~900VDC	84	153	8400000	1900000
	109E7512	KPD5-900A/750VDC5BKN130	900A	750V~900VDC	102	185	11000000	2900000
	109E7513	KPD5-1000A/750VDC5BKN130	1000A	660V~750VDC	104	190	25000000	4800000

500A~800A Breaking Capacity分断能力 (KA) @ 750 V=100KA L/R = 100 ms
 500A~800A Breaking Capacity分断能力 (KA) @ 900 V=100KA L/R = 40 ms
 4BKN-900A Breaking Capacity分断能力@ 750 V=100KA L/R = 100 ms;
 5BKN-900A Breaking Capacity分断能力 (KA) @ 750 V=100KA L/R = 100 ms;
 5BKN-900A Breaking Capacity分断能力 (KA) @ 900 V=100KA L/R = 40 ms
 1000A Breaking Capacity分断能力@ 750 V=100KA L/R = 100 ms;

Dimensions (4BKN/130、5BKN/130) 安装尺寸示意图

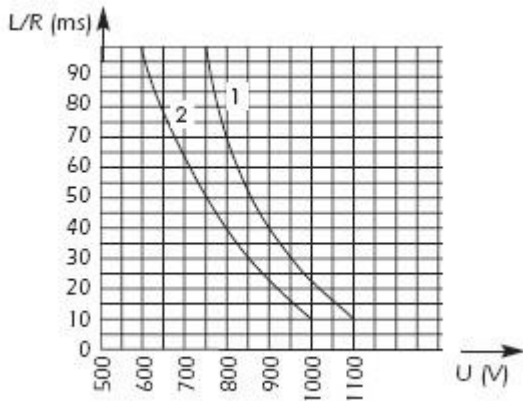


Type Number 尺寸代码	安装尺寸Dimensions (mm)			
	E	F	M	D
4BKN/130	85	109	M12	Φ55
5BKN/130	105	120	M16	Φ65

Main Characteristics 主要技术参数 750V~900V DC 电流范围 gR from 500 to 1000A

Electrical characteristics 电气特性:

DC applications data

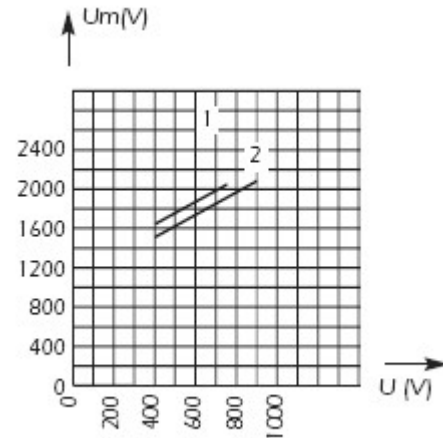


Above: Curve indicates maximum permissible value of time constant L/R as a function of DC working voltage

Max. AC voltage (50/60 Hz):

1250 V with breaking capacity of 170 kA

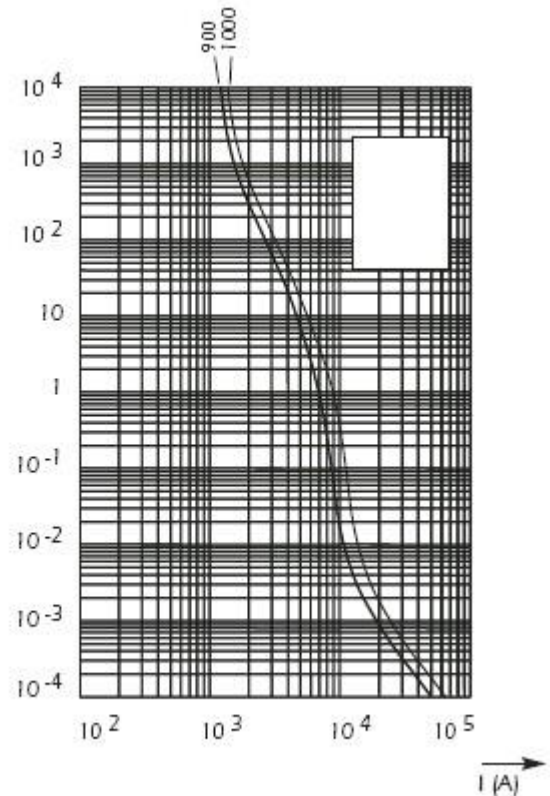
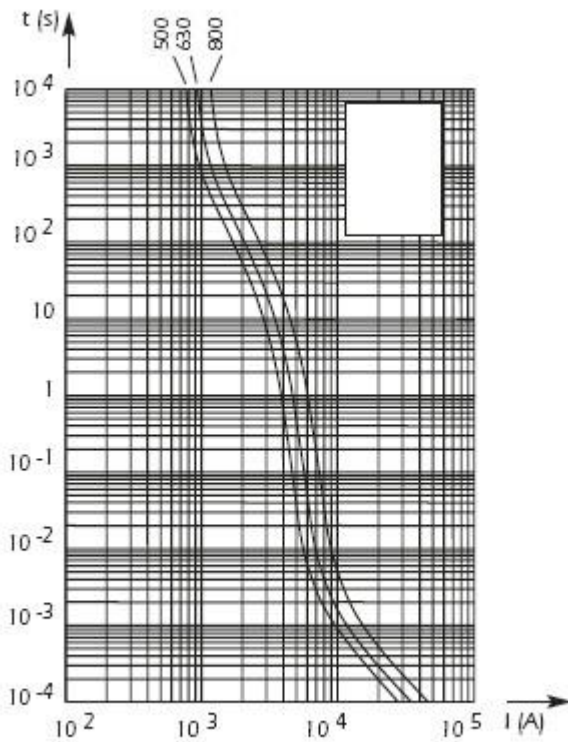
Peak arc voltage vs. working voltage



1 : L/R = 100 ms 2 : L/R = 40 ms

Above: Curves indicate for various time constants L/R the peak arc voltage, which may appear across fuse terminals, vs. DC working voltage

Time vs current characteristic 时间电流特性曲线:



Above: Curves indicate, for each rated current, pre-arcing time vs. R.M.S. pre-arcing current.

Main Characteristics 主要技术参数 750V~900V DC电流范围 gR from 1000 to 1600A

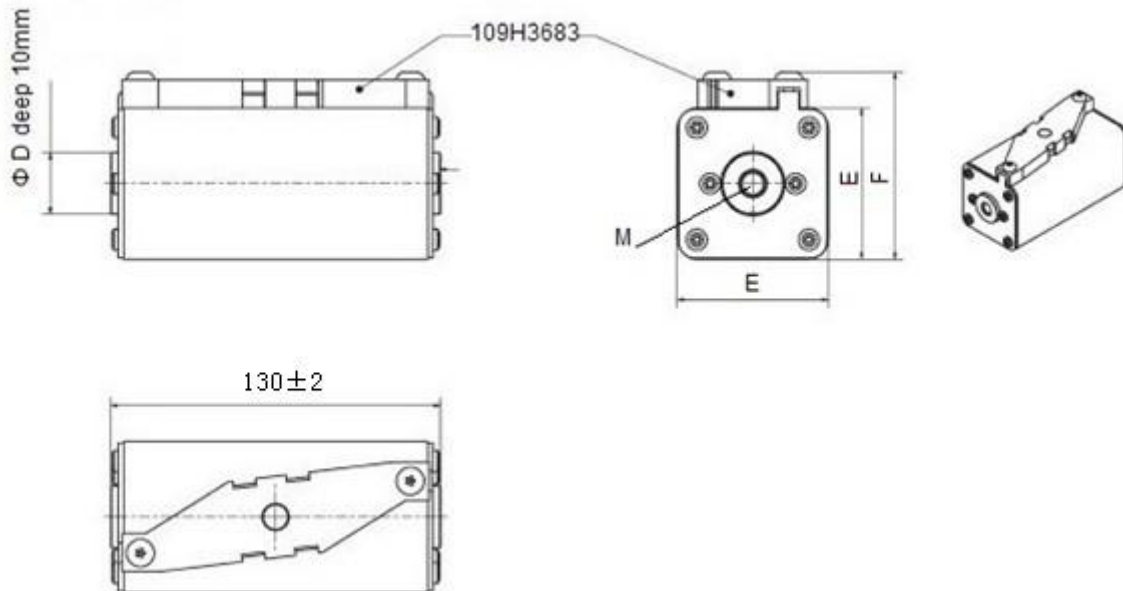
Size 瓷管 代号	Catalog Numbers 订货号	Designation Type 型号规格	Ampere 电流 (A)	Voltage 电压 (V)	Watts Loss(W) 功耗		I ² t @900V L/R=45ms 熔断I ² t(A ² S)	
					0.8I _N	I _N	I _P = 10 I _N (A ² S)	I _P = 50 I _N (A ² S)
6BKN/130	109E7610	KPD6-1000A/750VDC6BKN130	1000A	750V~900VDC	102	187	20000000	4000000
	109E7611	KPD6-1250A/750VDC6BKN130	1250A	660V~750VDC	148	274	30000000	6000000
	109E7612	KPD6-1400A/750VDC6BKN130	1400A	660V~750VDC	164	304	30000000	8000000
	109E7613	KPD6-1500A/750VDC6BKN130	1500A	660V~750VDC	164	304	40000000	8000000
	109E7614	KPD6-1600A/660VDC6BKN130	1600A	660VDC	180	335	48600000	10000000

1000A Breaking Capacity分断能力@ 750 V=100KA L/R = 100 ms; Breaking Capacity分断能力@ 900 V=100KA L/R = 40 ms.

1250A~1500A Breaking Capacity分断能力@ 750 V=100KA L/R = 50 ms;

1600A Breaking Capacity分断能力@ 660 V=100KA L/R = 50 ms;

Dimensions (6BKN/130) 安装尺寸示意图

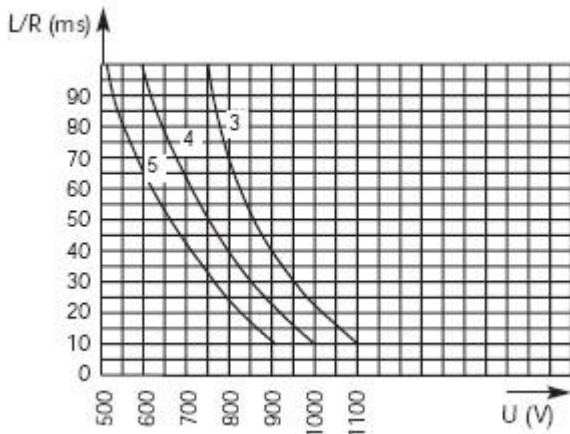


Type Number	Dimensions (mm)			
	E	F	M	D
6BKN/130	120	135	M16	Φ80

Main Characteristics 主要技术参数 750V~900V DC电流范围 gR from 1000 to 1600A

Electrical characteristics 电气特性:

DC applications data

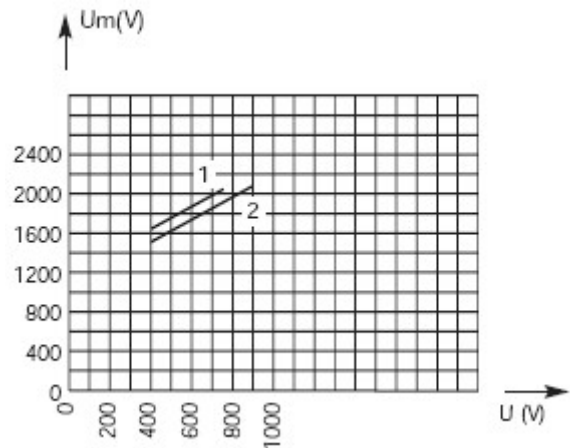


Above: Curve indicates maximum permissible value of time constant L/R as a function of DC working voltage

Max. AC voltage (50/60 Hz):

1250 V with breaking capacity of 170 kA

Peak arc voltage vs. working voltage

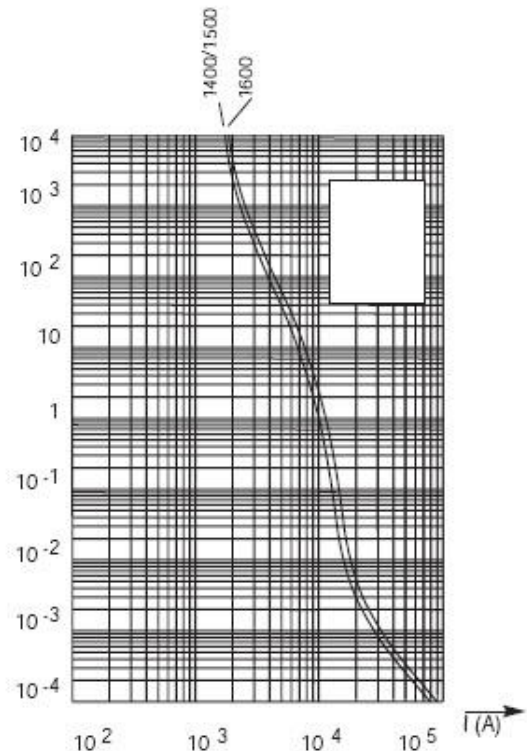
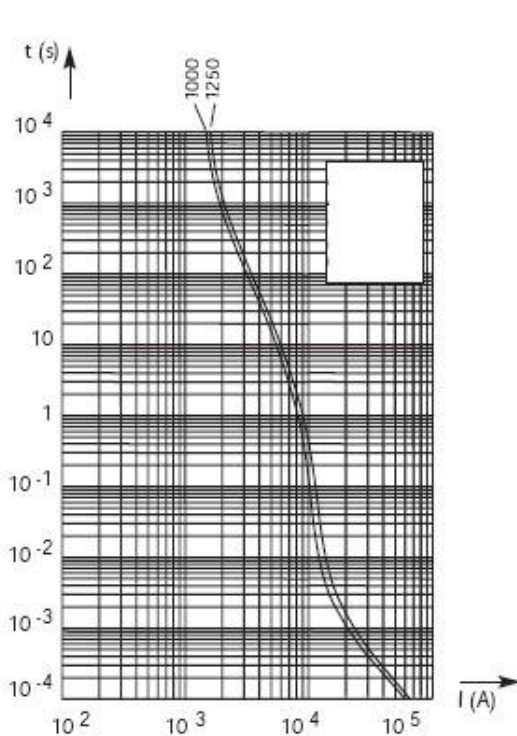


1 : L/R = 100 ms 2 : L/R = 40 ms

Above: Curves indicate for various time constants

L/R the peak arc voltage, which may appear across fuse terminals, vs. DC working voltage

Time vs current characteristic 时间电流特性曲线:



Above: Curves indicate, for each rated current, pre-arcing time vs. R.M.S. pre-arcing current.